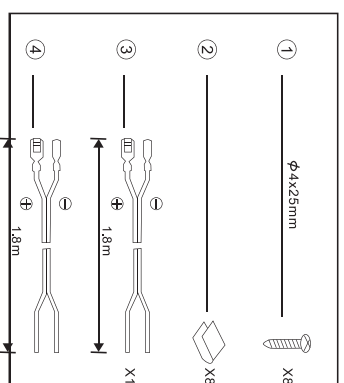


4" 2-WAY SPEAKER

- FREQUENCY: 100-20KHZ
- SENSITIVITY: 88dB/W/M
- MAX POWER: 80W
- MAGNET: 150.2 GRAMS
- VOICE COIL: 20MM
- MIDRANGE AND TWEETER:
- 30MM MYLAR DOME TWEETER

CONTENTS

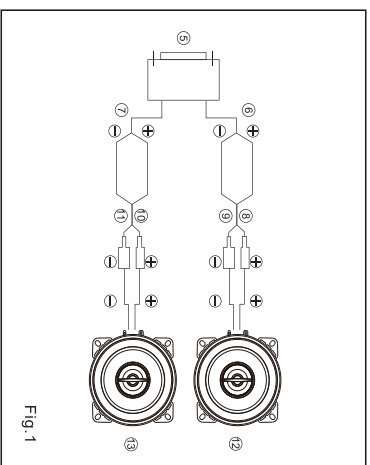


WIRING CONNECTION(Fig.1)

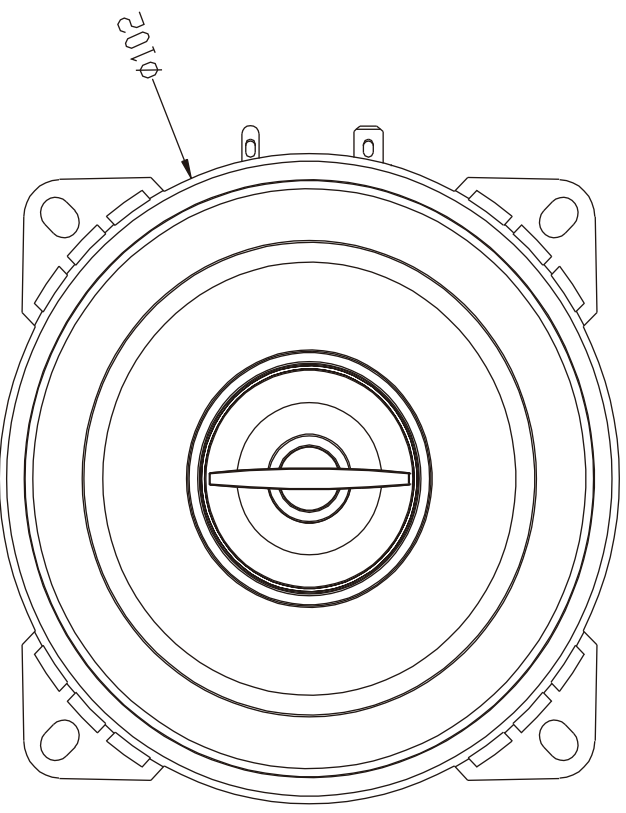
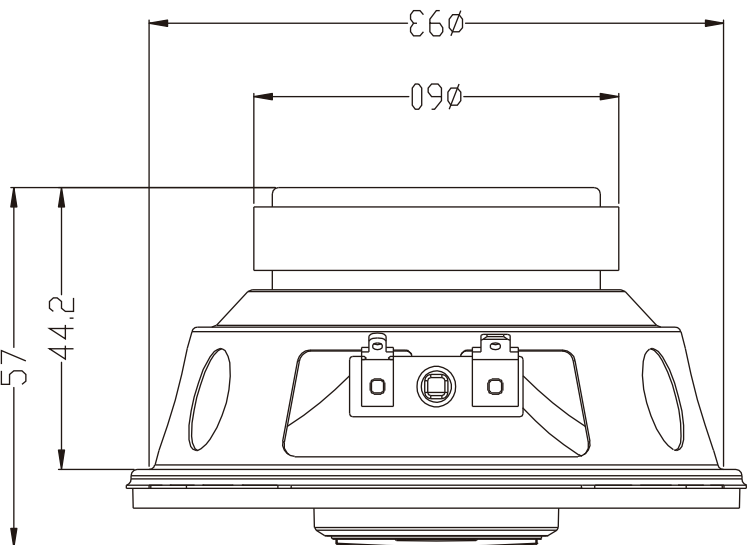
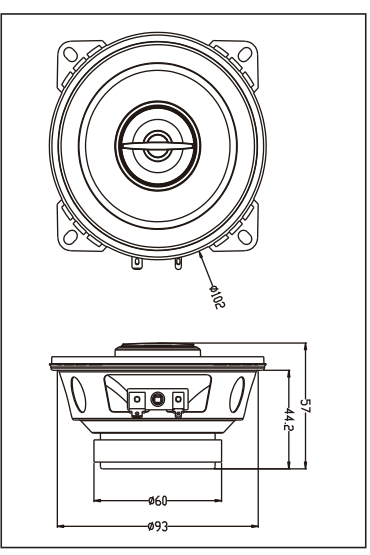
Please watch for polarity

- (5) Car Stereo
- (6) Left
- (7) Right
- (8) White
- (9) White/Black
- (10) Gray
- (11) Gray/Black
- (12) Left Speaker(4 ohms)
- (13) Right Speaker(4 ohms)

CONNECTION DIAGRAM



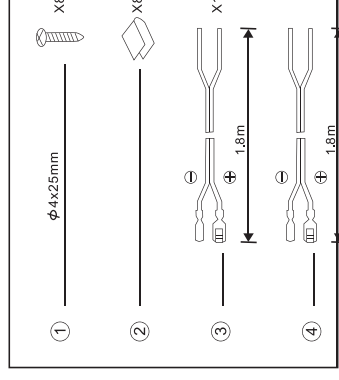
CONNECTION DIAGRAM



4" DIFUZOR CU 2 CĂI

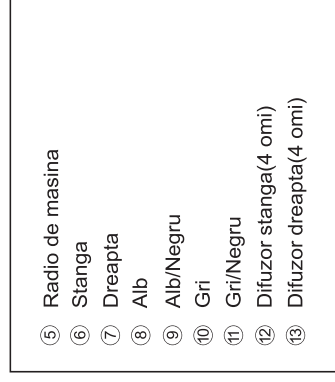
- FRECVENTA: 100-20KHz
- SENSIBILITATE:
- 88dB/W/M PUTERE
- MAXIMA: 80 W
- MAGNET: 150.2 GRAMS
- BOBINA MOBILA: 20 MM
- DIFUZOARE DE MEDII SI INALTE:
- CAPAC ELECTROIZOLANT 30MM PENTRU DIFUZOR DE INALTE

■ CONTINUT



■ CABLARE (Fig. 1)

Va rugam sa fiti atenti la polaritate



- ⑤ Radio de masina
- ⑥ Stanga
- ⑦ Dreapta
- ⑧ Alb
- ⑨ Alb/Negru
- ⑩ Gri
- ⑪ Gri/Negru
- ⑫ Difuzor stanga(4 omi)
- ⑬ Difuzor dreapta(4 omi)

■ DIAGRAMA CONECTARE

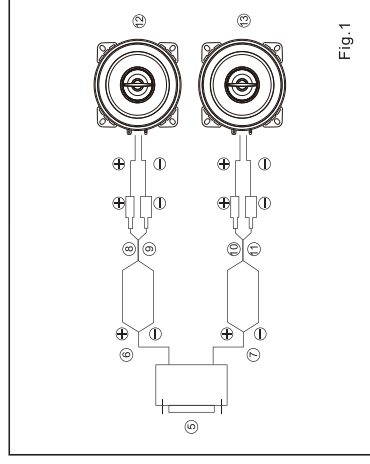


Fig. 1

■ DIAGRAMA CONECTARE

