

# AKAI

---

user manual

## APRC-90

### Portable CD/MP3 Player with FM Radio and Cassette Recorder



It is important to read this user manual prior to using your new product for the first time.

## **Welcome**

Thank you for purchasing the Micro system Player APRC-90. In order to fully benefit from this product, please follow the instructions in this user manual very carefully. Store this user manual in a safe place for future reference. We are sure your new Micro system will satisfy your needs.

## **PREPARATION FOR USE**

### Unpacking and Setup

- \* Carefully remove the unit from the display carton and remove all packing material from the unit itself.
  
- \* Remove any descriptive labels that may be found on either the front or top cabinet of the unit. Do not remove any labels located on either the back or bottom cabinet of the unit.
  
- \* Press the CD door OPEN Button to open the CD compartment door. There is a white card in the CD compartment which is intended to prevent the CD pickup from moving during shipment of the product, Remove this card from the CD compartment before use.

## **POWER SUPPLY**

### Using AC Power

1. Check if the power voltage, as shown on the type plate located on the bottom of the set, corresponds to your local AC power supply. If it does not, consult your dealer or service center.
2. Connect the power cord to the AC socket inlet and the wall outlet, the power supply is now connected and ready for use.
3. To switch off completely, unplug the power cord from the wall outlet.
4. Unplug the power cord from the wall outlet to protect your set during heavy thunderstorms.

### **Batteries (not included)**

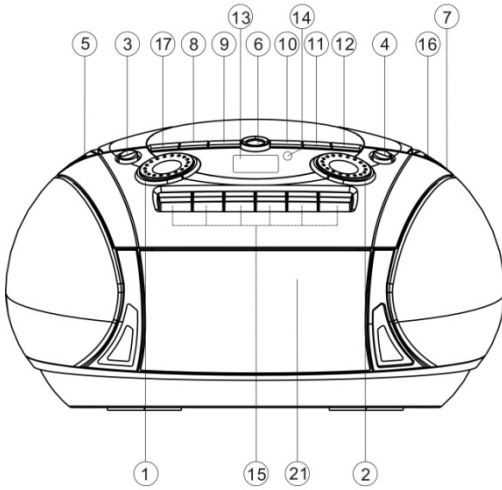
Open the battery compartment and insert eight batteries, type LR14, UM-2 or C-cells, (Preferably Alkaline) with the correct polarity as indicated by the "+" and "-" symbols inside the compartment

### **Batteries contain chemical substances, so they should be disposed of properly.**

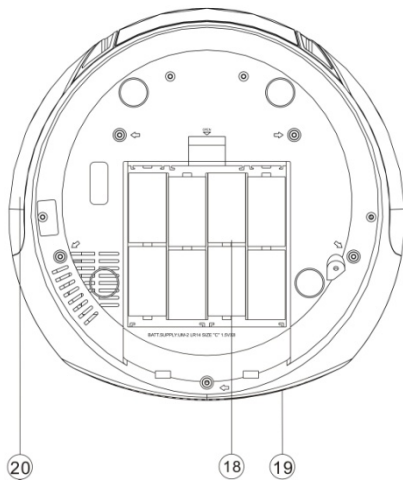
Incorrect use of batteries can cause electronic leakage and will corrode the compartment or cause the batteries to burst. Therefore:

- Do not mix battery types: e.g. alkaline with carbon Zinc. Only use batteries of the same type for the set.
- When inserting new batteries, do not try to mix old batteries with new ones.
- Remove the batteries if the set is not used for a long time.

1



- 1.VOLUME-/VOLUME+ BUTTON
- 2.REP-DN/REP-UP BUTTON
- 3.POWER BUTTON
- 4.FUNCTION SELECT
- 5.STEREO HEADPHONE JACK
- 6.CD DOOR OPEN BUTTON
- 7.USB SLOT
- 8.SEARCH BACK
- 9.STOP BUTTON
- 10.PLAY/PAUSE BUTTON
- 11.SEARCH NEXT
- 12.REPEAT BUTTON
- 13.LCD DISPLAY
- 14.STANDBY INDICATOR
- 15.CASSETTE OPERATION KEYS
- 16.FM ANTENNA
- 17.PROGRAM/TIME BUTTON
- 18.BATTERY DOOR
- 19.AUX JACK
- 20.AC MAINS
- 21.CASSETTE COMPARTMENT



## **BASIC FUNCTION**

### **1.VOLUME-/VOLUME+ BUTTON**

- adjust volume level.

### **2.PRE-DN/REP-UP BUTTON**

- In the radio mode, press PRE-DN/PRE-UP button to choose the back channel.

- In the mp3 mode, press PRE-DN/PRE-UP button to enter the back folder.

### **3.POWER BUTTON**

-Press POWER button on.

### **4.FUNCTION SELECT**

- select source of sound MP3/CD, TAPE (OFF)or RADIO, also the power off switch

### **5.STEREO HEADPHONE JACK**

- 3.5 mm stereo head phone jack.

### **6.CD DOOR OPEN BUTTON**

- Press here to open the CD door.

### **7.USB SLOT**

-To listen to your USB flash memory stick with Mp3 music files.

### **8.SEARCH BACK**

BACK track selection

- Press and hold more than 1.5 sec  
BACK search intra track

### **9.STOP BUTTON**

- Stop CD/MP3/USB/playback;  
erase a CD program.

### **10.PLAY/PAUSE BUTTON**

- start or pause MP3/CD/USB play

### **11.SEARCH NEXT**

NEXT track selection

- Press and hold more than 1.5 sec  
Forward search intra track

### **12.REPEAT BUTTON**

- To repeat a track as CD/MP3/USB.

### **13.LCD DISPLAY**

- Show the radio frequency

- Show the number of tracks

### **14.STANDBY INDICATOR**

### **15.CASSETTE OPERATION KEYS**

RECORD ( ● ) - start recording

PLAY ( ◀ ) - start playback

F.REW ( ▶▶ ) - rewind the tape  
toward the beginning.

F.FWD ( ◀◀ ) - advance the tape  
toward the end.

STOP/EJECT ( ■▲ ) - stop the tape

- Open the cassette compartment

PAUSE ( ▶|| ) - interrupt recording or playback

### **16.FM ANTENNA**

- To improve FM reception

### **17.PROGRAM/TIME**

-In standby mode, to setup the time of the unit.

-Program and review programmed track numbers.

-In the working status, push down this button  
can on CD/MP3 for programming.

### **18.BATTERY DOOR**

-To open battery compartment

### **19.AUX JACK**

### **20.AC MAINS**

- Inlet for power cord.

### **21.CASSETTE COMPARTMENT.**

## USE CLOCK

To setup the time of the unit

1. Connect the ac on(The following operation must be in standby mode).
2. Short according to the TIME button, the time will be flashing on the LCD display.
- 3.Press CLK-, CLK+ to select the number of the time. You can long press function button setup the time format by 12h or 24h.
4. Press time button to confirm.
5. Set the hour and the minute with the same method of steps 3-4.
6. After setup the unit time, long press the time button can setup the unit begin working time, with the same method of steps 3-4.

Note: after setup the beginning time, the LCD will display the radio/cd/USB/aux mode, Press the BACK or NEXT to choose the mode, then press time button to affirm, otherwise it plays USB or aux mode first.

## USE RADIO

Radio reception

1. Press FUNCTION button select RADIO mode.
2. Tune to required station by press BACK,NEXT.

Manual Tuning: Press BACK or NEXT and then release within 1 sec.

Auto Tuning: Press the play/pause button enter the automatic channel scan mode, and to be put automatically sets.

Preset Channel:(FM 30 Preset memories)

- (1) Press BACK or NEXT Select desired station.
- (2) Press PROGRAM button once, The MEMORY number indicator begins steady in the display.
- (3) Press PRESET-UP or PRESET- DOWN buttons to select the desired number.
- (4) Press PROGRAM button to save that station.
- (5) Repeat steps (1) to (4) procedures for other stations.
3. After end of program. Press PRE-UP or PRE-DN to start play the frequency that you selected.
4. Press [VOL-]or [VOL +] to adjust the volume.
5. Extend TELESCOPIC ANTENNA to its full length if you are listening to FM broadcasting.
6. Turn off the radio by press FUNCTION button select other mode or press power button to off the unit.
7. Switch on again after shut down, the memory frequency still exists.

## USE AUX

This model includes an Aux in jack which enables connection to any external audio device such as MP3, Discman or Walkman.

1. Connect your external audio device to the AUX in of the micro system.
2. Select the function to AUX. Play the music from your audio device to hear it through the speakers.

Adjust the volume level to your desire.

Note: The Micro system buttons cannot control the external device. All functions must be operated from the external audio device.

## PROGRAM METHOD

(1) Press the [PROGRAM] key at STOP mode, system will go to PROGRAM mode.

- The PRG icon and P01 will blink at 2Hz. This prompts the user to enter the first songs in the program PLAY list.

(2) The user can select the desired tracks by using [NEXT], [BACK] keys.

- Once these keys are pressed, the Display will show the selected track.

(3) After select the desired track, press [PROGRAM] key again and it will be stored in the memory.

- Mp3 Maximum 99 and CD Maximum 20 tracks can be programmed when Repeat steps (2) to (3) procedures.

(4) If press the [STOP] key during the program mode, then the selected TRACKS will be stored.

- In the memory and return to STOP mode (Continuous Play mode)

(5) If press the [PLAY] key during the program mode, it will start the program PLAY mode.

- PLAY start from P01 Track

Erasing a program

You can erase the content of the memory by:

- While playing, press STOP button twice.
- Opening the CD door
- Select the other mode.

## USING THE CASSETTE

UNDERSTANDING THE BUTTONS

**RECORD** - Press to record from the radio or CD play.

**PLAY** - Press to play cassettes.

**REW** - From stop mode, press to rewind the tape toward the beginning.

**F.FWD** - From stop mode, press to advance the tape toward the end.

**STOP/EJ.** - Press to stop current tape activity or to open the cassette compartment door when no buttons are active.

**PAUSE** - Press to interrupt tape play or record mode, press the second time to resume tape play or tape record mode.

PLAY A CASSETTE TAPE

1. Press FUNC button select TAPE mode.

2. Press STOP/EJ. key to open the cassette compartment door.

3. Insert a recorded cassette and close the cassette compartment door.

4. Press PLAY to start playback.

5. To interrupt playback, press PAUSE. To resume, press the key again.

6. Press REW/F.FWD to move tape to the desired starting point.

7. Adjust the volume to your desired listening level.

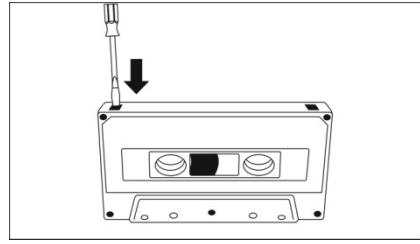
8. To stop the tape, press STOP/EJ.

- The keys are automatically released at the end of the tape, except if PAUSE has been activated.

## RECORDING

### GENERAL INFORMATION ON RECORDING

- \*Recording is permissible in so far as copyright or other rights of third parties are not infringed.
- \*This deck is not suitable for recording on CHROME(IEC II) or METAL (IEC IV) type cassette. For recording, use NORMAL type cassettes (IEC I) on which the tabs have not been broken.
- \*The best recording level is set automatically, altering the VOLUME controls will not affect the recording in progress.
- \*To protect a tape from accidental erasure, have the tape in front of you and break out the left tab. Recording on this side is no longer possible. To record over this side again, cover the tabs with a piece of adhesive tape.



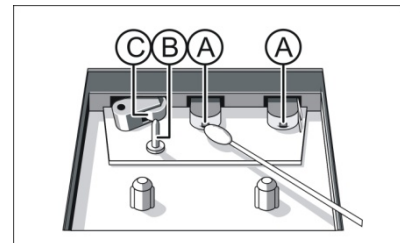
### MAINTENANCE

#### Tape deck maintenance

To ensure quality recording and playback of the tape deck, clean parts A,B and C shown in the diagram below, after approx. 50 hours of operation, or on average once a month, use a cotton bud slightly moistened with alcohol or a special head cleaning fluid to clean the deck.

- 1, Open the cassette door by pressing STOP\*EJECT.
- 2, Press PLAY and clean the rubber pressure rollers C
- 3, Press PAUSE and clean the magnetic heads A and also the Capstan B
- 4, After cleaning, press STOP\*EJECT.

Note: Cleaning of the heads can also be done by playing a cleaning cassette through once.



## CD/MP3 PLAYER

The APRC-90 Micro system can playback the following formats: Audio Discs, MP3, CD-R.

Do not attempt to play CD-ROM, CDI, VCD, DVD or computer CD's.

1. Press the function button to select CD mode.
2. To open the CD door, press the CD open button.
3. Insert an MP3/CD or CD-R, with the printed side facing up and press the CD door gently to close.
4. Press Play/Pause button on the unit to start playback.
5. Press the pause button to pause at any time. Press the play button once again to resume playback.
6. Press STOP, to end CD playback.

Note: CD/MP3 playback will also stop when:

- You open the CD compartment;
- You select the Radio source;
- The CD/MP3 has reached to the end.

### **Selecting a different track.**

During playback you can use the Back or Next Buttons to select a particular track.

If you have selected a track number while in stop or pause position, press play to start playback.

Press next once briefly for the next track, or press repeatedly until the desired track number appears on the display.

Press back once briefly to return to the beginning of the current track.

Press back twice to access to the previous track.

### **Finding a passage within a track**

1. Press and hold down the back or next button. The CD will move at higher speed.
2. When you recognize the passage you want Simply, release the back or next button.

### **Play back modes: repeat.**

Repeat: Plays the current track continuously.

Repeat all: plays the entire cd continuously.

playing tracks in random order after press the random button, the tracks will be played in random order.

## **Playing a USB**

### **USB Audio functions**

1. Select the USB function to enter USB mode.
2. Press NEXT or BACK to advance or go back.
3. Program up to 99 tracks in MP3 mode.
4. Play Modes: there are 4 different play modes: Normal->Repeat 1-> Repeat all ->Repeat album->
5. A maximum of 99 folders can be read from the USB.
6. Maximum files supported in 1 folder: 999
7. Maximum capacity supported: 32GB

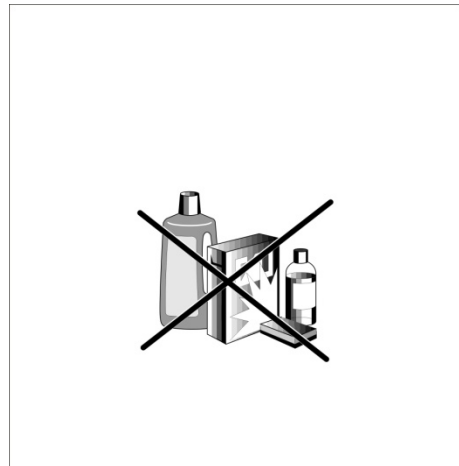
**Note:** The unit does not support any external HDD.



## MAINTENANCE & SAFETY

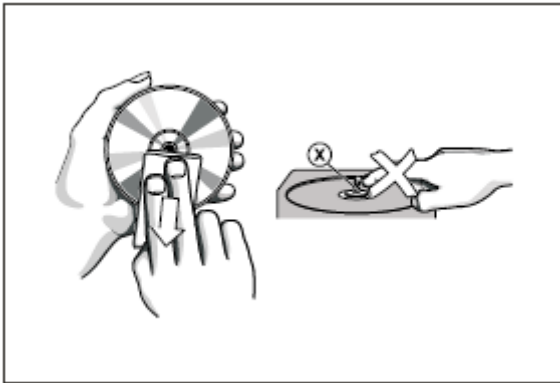
### Precautions & General Maintenance

- \* Place the unit on a hard and flat surface so that the unit does not tilt.
- \* Do not expose the unit, batteries or CD's to humidity, rain, sand or excessive heat caused by heating equipment or direct sunlight.
- \* Do not cover the unit. Adequate ventilation with a minimum gap of 6 inches between the ventilation holes and surrounding surfaces are necessary to prevent heat build-up.
- \* The mechanical parts of the unit contain self-lubricating bearings and must do not be oiled or lubricated.
- \* To clean the set, use a soft dry cloth. Do not use any cleaning agents containing alcohol, ammonia, benzene or abrasives as these may harm the cabinet.



### CD player and CD handling

- \* The lens of the CD player should never be touched!
  - \* Sudden changes in the surrounding temperature can cause condensation to form and the lens of your CD player or cloud over. Playing a CD is then not possible. Do not attempt to clean the lens but leave the set in a warm environment until the moisture evaporates.
  - \* Always close the CD door to keep the CD compartment dust-free. To clean, dust the compartment with a soft dry cloth.
  - \* To clean the CD, wipe in a straight line from the center towards the edge using a soft, lint-free cloth.
- Do not use cleaning agents as they may damage the disc.  
Never write on a CD or attach any stickers to it.



# TROUBLESHOOTING

## Troubleshooting

If a fault occurs, it is important you first check the points listed below before taking the unit for repair. Do not open the unit as there is a risk of electric shock.

If you are unable to remedy a problem by following these hints, consult your dealer or service center.

**WARNING:** Under no circumstances should you try to repair the unit yourself, as this will invalidate the warranty.

- Problem
- Solution

### **No Sound / Power**

- Volume not adjusted
- Adjust the Volume level
  
- Power cord not securely connected
- Connect the AC power cord properly
  
- Batteries dead/ incorrectly inserted
- Insert new batteries correctly

**Display does not function properly.**

### **No reaction to operation of any of the controls**

- Electrostatic discharge
- Switch off and unplug the unit. Connect it after a few seconds

### **No disc indication**

- No CD inserted
- Insert a CD, MP3, CD-R.
  
- CD badly scratched or dirty
- Replace/clean CD. See Maintenance.
  
- CD-R is blank or the disc is not finalized
- Use a finalized CD-R.

### **CD/MP3/USB playback does not work**

- CD/MP3/USB badly scratched or dirty
- Replace or clean the CD/MP3/USB (see maintenance)
  
- Laser lens steamed up
- Wait until the lens has adjusted to room temperature.

### **The CD/MP3 skips tracks**

- CD/MP3 damaged or dirty
- Replace or clean CD/MP3
  
- Program is active
- Quit Program mode(s)

## TECHNICAL SPECIFICATIONS

### GENERAL

Power Requirement .....	AC: 230V ~ 50Hz
Power consumption .....	AC 18 Watts
Dimensions.....	Approx.268 mm(L)x 270mm(W) x156 mm(H)
Operation temperature.....	+5 °C - +35°C

### RECEIVER SECTION

Receiving Bands.....	FM ST.
Tuning Range.....	FM:87.5-108MHz

### COMPACT DISC SECTION

Optical Pickup.....	.3-Beam Laser
Frequency Response.....	100Hz-16KHz

### AUDIO SECTION

Power output .....	Maximum 2.5 Watt x 2
Headphone Impedance .....	4 ~ 32 Ohms

### ACCESSORIES

Instruction Booklet.....	1
AC line cord.....	1

### DISPOSAL OF WASTE ELECTRICAL AND ELECTRONIC EQUIPMENT

This symbol on the product or packaging means that the product should not be treated as household waste. Do not throw garbage at the end of its life, but take it to a collection center for recycling. In this way you will help to protect the environment and be able to prevent any negative consequences that it would have on the environment and human health.

To find your nearest collection center:

- Contact local authorities;
- Access the website: [www.mmediu.ro](http://www.mmediu.ro);
- Request additional information from the store where you purchased the

product.



# AKAI

manualul utilizatorului

---

**APRC-90**

**Casetofon portabil cu player MP3/CD si radio FM**



Este important sa cititi acest manual inainte de a folosi produsul nou pentru prima data.

## **Bine ati venit!**

Va multumim pentru achizitionarea Micro sistemului Player APRC-90. Pentru a beneficia complet de acest produs, va rugam sa urmati cu atentie instructiunile din acest manual al utilizatorului. Pastrati acest manual intr-un loc sigur pentru viitoare referinte. Suntem convinsi ca noul nostru Micro sistem va va satisface nevoile.

## **PREGATIRE PENTRU UTILIZARE**

Despachetare și montare

- \* Indepartati cu grija unitatea din cutie si indepartati tot ambalajul de pe unitate.
- \* Scoateti orice etichete care pot fi aplicate fie pe fata sau pe partea de sus a unitatii. Nu scoateti nicio eticheta situata fie pe spatele sau pe butoanele cutiei unitatii.
- \* Apasati butonul de DESCHIDERE pentru CD, pentru a deschide compartimentul CD-ului. In interiorul compartimentului pentru CD exista un carton alb, care are rolul de a impiedica miscarea pickup-ului CD-ului in timpul transportului produsului. Scoateti acest carton din compartimentul CD-ului inainte de utilizare.

## **ALIMENTARE**

Utilizarea curentului alternativ

5. Verificati daca tensiunea corespunde furnizorului dumneavoastra local de curent, dupa cum se arata pe placuta situata in partea de jos a setului. Daca nu, consultati un dealer sau centrul de service.
6. Conectati cablul de curent la priza; alimentarea este conectata si gata pentru utilizare.
7. Pentru a deconecta complet aparatul, scoateti cablul din priza.
8. Scoateti cablul din priza de perete pentru a va proteja aparatul in timpul furtunilor puternice.

## **Baterii (nu sunt incluse)**

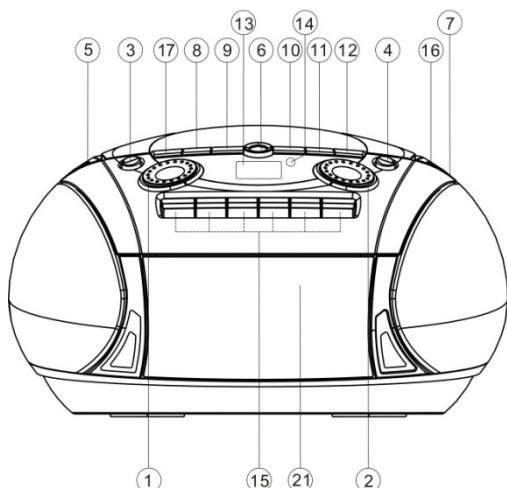
Deschideti compartimentul bateriilor si introduceti opt baterii, de tip LR14, UM-2 sau R14, (de preferat alcaline), cu polaritatea corect pozitionata, dupa cum indica simbolurile "+" si "-", din interiorul compartimentului.

## **Bateriile contin substante chimice, asadar trebuie sa fie aruncate corespunzator.**

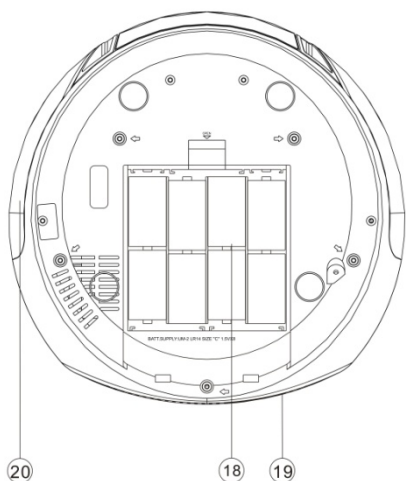
Utilizarea incorecta a bateriilor poate cauza scurgere electronica si va oxida compartimentul sau va cauza explozia bateriilor. De aceea:

- Nu amestecati tipurile de baterii: ex. alkaline cu zinc-carbon. Folositi doar baterii de acelasi tip pentru set.
- Cand introduceti baterii noi, nu amestecati bateriile vechi cu cele noi.
- Scoateti bateriile daca aparatul nu este folosit pentru o perioada mai lunga de timp.

1



- 1.BUTON VOLUM-/VOLUM+
- 2.BUTON REP-DN/REP-UP
- 3.BUTON ALIMENTARE
- 4.SELECTARE FUNCTII
- 5.MUFA CASTI STEREO
- 6.BUTON DESCHIDERE COMPARTIMENT CD
- 7.SLOT USB
- 8.CAUTARE ANTERIOARA
- 9.BUTON OPRIRE
- 10.BUTON PLAY/PAUSE
- 11.CAUTARE URMATOARE
- 12.BUTON REPEAT
- 13.ECRAN AFISAJ
- 14.INDICATOR STANDBY
- 15.TASTE FUNCTIONALE PENTRU CASSETOFON
- 16.ANTENA FM
- 17.BUTON PROGRAM/ORO
- 18.BATTERY DOOR
- 19.MUFA AUX
- 20.ALIMENTARE PRINCIPALA
- 21.COMPARTIMENT CASETA



## **FUNCTII DE BAZA**

### **1.BUTON VOLUM-/VOLUM+**

- regleaza nivelul volumului.

### **2.BUTON PRE-DN/REP-UP**

- In modul radio, apasati butonul PRE-DN/PRE-UP pentru a alege programul anterior.

- In modul mp3, apasati butonul PRE-DN/PRE-UP pentru a intra in fisierul anterior.

### **3.BUTON ALIMENTARE**

-Apasati butonul POWER ON.

### **4.SELECTAREA FUNCTIILOR**

- selectati sursa de sunet MP3/CD, TAPE (OFF)sau RADIO, si, de asemenea, butonul de oprire

### **5.MUFA CASTI STEREO**

- mufa casti stereo de 3.5 mm.

### **6.BUTON DESCHIDERE COMPARTIMENT CD**

- Apasati aici pentru a deschide usa pentru CD.

### **7.SLOT USB**

-Pentru a asculta muzica MP3 de pe stick-ul USB.

### **8.CAUTARE ANTERIOARA**

Selectare melodie anterioara

- Apasati si tineti apasat mai mult de 1.5 sec pentru cautarea melodiei anterioare

### **9.BUTON OPRIRE**

- Buton oprire CD/MP3/USB/playback; stergere program CD.

### **10.BUTON PLAY/PAUSE**

- pornire sau punere pe pauza redare MP3/CD/USB

### **11.CAUTARE URMATOR**

Selectare melodie urmatoare

- Apasati si tineti apasat mai mult de 1.5 sec pentru cautarea melodiei urmatoare

### **12.BUTON REPEAT**

- Pentru repetare melodie de pe CD/MP3/USB.

### **13.ECRAN AFISAJ**

- Arata frecventa radio

- Arata numarul melodiei

### **14.INDICATOR STANDBY**

### **15.TASTE OPERARE CASETFON**

RECORD ( ● ) –incepe inregistrarea

PLAY ( ◀ ) - incepe redarea

F.REW ( ▶▶ ) - deruleaza caseta inainte, pana la capat.

F.FWD ( ◀◀ ) - deruleaza caseta inapoi, pana la capat.

STOP/EJECT ( ■ ▲ ) –opreste caseta

- Deschide compartimentul pentru caseta

PAUSE ( ▶|| ) - intrerupe inregistrarea sau redarea

### **16.ANTENA FM**

- Pentru imbunatatirea receptiei FM

### **17.PROGRAM/ORA**

-In modul de asteptare(standby), pentru setarea orei unitatii.

-Programare si revizuire numere piese programate.

-In modul de lucru, apasati acest buton pentru programare CD/MP3.

### **18.COMPARTIMENT BATERII**

- Deschiderea compartimentului pentru baterii.

### **19.MUFA AUX**

### **20.ALIMENTARE PRINCIPALA**

- Intrare pentru cablul de alimentare.

### **21.COMPARTIMENT CASETA.**

## UTILIZAREA CEASULUI

Pentru setarea orei aparatului

1. Conectati la sursa de curent (Urmatoarea operatie trebuie facuta in modul standby).
2. Apasati scurt butonul TIME, iar orava licari pe ecran.
3. Apasati CLK-, CLK+ pentru a selecta numarul orei. Puteti seta formatul orei la 12 sau 24, prin apasarea lunga a butonului functional.
4. Apasati butonul pentru ora pentru confirmare.
5. Setati ora si minutele prin aceeasi metoda ca la pasii 3-4.
6. Dupa setarea orei aparatului, apasati lung butonul pentru ora pentru a putea seta ora de lucru a aparatului, prin aceeasi metoda ca la pasii 3-4.

Nota: dupa setarea orei de incepere, ecranul LCD va afisa modul radio/CD/USB/AUX, apasati BACK sau NEXT pentru a alege modul, apoi apasati butonul TIME pentru confirmare, in caz contrar va intra intai in modul USB sau AUX.

## UTILIZAREA RADIOULUI

Receptia radio

1. Apasati butonul FUNCTION pentru a selecta modul RADIO.
  2. Reglati postul dorit prin apasarea butonului BACK, NEXT.
- Reglare manuala: Apasati si tineti apasat butonul BACK sau NEXT apoi eliberati dupa 1 secunda.
- Reglare auto: Apasati si tineti apasat butonul PLAY/PAUSE pentru a porni modul de scanare automata a posturilor.
- Posturi presetate: (30 de posturi FM presetate)
- (1) Apasati BACK sau NEXT pentru a selecta postul de radio dorit.
  - (2) Apasati butonul PROGRAM o data; indicatorul MEMORY pentru numar va aparea pe ecran.
  - (3) Apasati butoanele PRESET-UP sau PRESET-DOWN pentru a selecta numarul dorit.
  - (4) Apasati butonul PROGRAM pentru a memora postul de radio.
  - (5) Repetati pasii (1) la (4) pentru a memora alte posturi de radio.
3. La terminarea programului, apasati PRE-UP sau PRE-DN pentru a incepe redarea frecventei pe care ati selectat-o.
  4. Apasati [VOL-] sau [VOL +] pentru a ajusta volumul.
  5. Intindeti ANTENA TELESCOPICA la lungime maxima pentru a asculta transmisiunea FM.
  6. Opriți radio-ul prin apasarea butonului FUNCTION, pentru a selecta alt mod sau apasați butonul de alimentare pentru a opri unitatea.
  7. Daca porniti din nou dupa inchidere, frecventa memorata va exista in continuare.

## UTILIZAREA SURSEI AUXILIARE

Acest model include mufa auxiliara de intrare, care permite conectarea la orice sursa externa pentru dispozitive audio, cum ar fi MP3, Discman sau Walkman.

1. Conectati sursa auxiliara a dispozitivului audio la mufa AUX a micro sistemului.
  2. Selectati functia AUX. Redati muzica de pe dispozitivul audio pentru a o asculta in boxe. Ajustati nivelul volumului după preferinte.
- NOTĂ: Butoanele micro sistemului nu pot controla dispozitivul extern. Toate functiile trebuie operate de pe dispozitivul audio extern.



## METODA PROGRAMARE

(1) Apasati tasta [PROGRAM] in modul STOP, iar sistemul va intra in modul PROGRAM.

- Pictograma PRG si P01 vor licari la 2Hz. Aceasta anunta utilizatorul ca poate reda primele melodii din lista de redare.

(2) Utilizatorul poate selecta melodiile dorite prin utilizarea tastelor [NEXT], [BACK].

- Odata ce tastele sunt apasate, afisajul va arata piesa selectata.

(3) Dupa selectarea piesei dorite, apasati din nou tasta [PROGRAM] si aceasta va fi memorata.

- pot fi programate maxim 99 de piese Mp3 si maxim 20 de piese pe CD, daca se repeta procedurile din pasii (2) – (3).

(4) Daca apasati tasta [STOP] in modul program, piesele selectate vor fi memorate.

- In modul MEMORY si va puteti intoarce la modul STOP (mod continuu de redare)

(5) Daca apasati tasta [PLAY] in modul program, aparatul va porni modul PLAY.

- porniti redarea de la melodia P01

Stergerea unui program

Puteti sterge continutul memoriei prin:

- in modul redare, apasati de doua ori butonul STOP.

- deschideti usa pentru CD

- selectati alt mod.

## UTILIZAREA CASETEI

DESCRIEREA BUTOANELOR

**RECORD (INREGISTRARE)**–Apasati pentru inregistrare de pe radio sau CD.

**PLAY (REDARE)**–Apasati pentru redarea melodiilor de pe caseta.

**REW (INAPOI)**–Din modul STOP, apasati butonul “rewind” pentru a derula caseta inapoi, pana la inceput.

**F.FWD (INAINTE)**–Din modul STOP, apasati pentru a derula caseta inainte, pana la sfarsit.

**STOP/EJ. (STOP/IESIRE)**–Apasati pentru a opri activitatea casetei curente sau pentru a deschide compartimentul pentru casete, atunci cand butoanele nu sunt active.

**PAUSE (PAUZA)**–Apasati pentru a intrerupe redarea casetei sau modul de inregistrare, apasati a doua oara pentru a relua redarea casetei sau modul de inregistrare.

REDAREA UNEI CASETE

1. Apasati butonul FUNC pentru a selecta modul TAPE (CASETA).

2. Apasati butonul STOP/EJ. pentru a deschide compartimentul pentru caseta.

3. Introduceti o caseta inregistrata si inchideti compartimentul.

4. Apasati PLAY pentru a porni redarea.

5. Pentru a intrerupe redarea, apasati PAUSE. Pentru a relua, apasati din nou acelasi buton.

6. Apasati REW/F.FWD pentru a derula caseta pana la punctul dorit.

7. Reglati volumul la nivelul de ascultare dorit.

8. Pentru a opri redarea casetei, apasati STOP/EJ.

- Butoanele sunt eliberate automat la finalul derularii casetei, exceptand cazul in care a fost activat butonul PAUSE.

## INREGISTRARE

### INFORMATII GENERALE PENTRU INREGISTRARE

\*Inregistrarea este permisa in limitele drepturilor de autor sau alte drepturi ale tertelor parti care nu sunt incalcate.

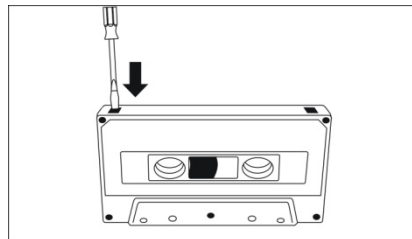
\*Aceasta platforma nu este potrivita pentru inregistrare cu tipul de caseta CHROME (IEC II) sau METAL (IEC IV).

Pentru inregistrare, folositi tipul de caseta NORMALA (IEC I) care nu are declansatorul avariata.

\*Nivelul cel mai bun de inregistrare este setat automat, iar alternarea butoanelor de VOLUM nu va afecta inregistrarea in curs.

\*Pentru a proteja o caseta de stergerea accidentala, tineti caseta in fata dumneavoastra si eliberati declansatorul din stanga.

Inregistrarea pe aceasta parte nu mai este posibila. Pentru a inregistra pe aceasta parte din nou, acoperiti declansatoarele cu o bucata de banda adeziva.



### INTRETINERE

#### Intretinere platforma operare caseta

Pentru a asigura calitatea inregistrarii si redarii pe platforma casetei, curatati partile A, B si C, dupa cum se arata in diagrama de mai jos, dupa aproximativ 50 ore de operare sau in medie, o data pe luna, folositi un betisor de bumbac inmuiat in alcool sau o solutie speciala de curatare pentru a curata platforma.

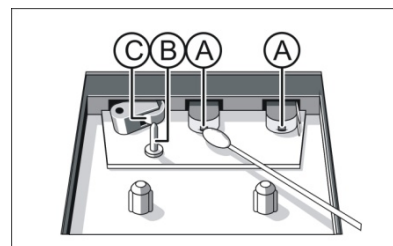
1, Deschideti compartimentul pentru caseta prin apasarea butonului STOP\*EJECT.

2, Apasati PLAY si curatati rolele de presiune din cauciuc, C.

3, Apasati PAUSE si curatati capetele magnetice A si cabestanul B.

4, Dupa curatare, apasati STOP\*EJECT.

Nota: Curatarea capetelor poate fi, de asemenea, facuta prin rularea unei casete de curatare.



## **PLAYER CD/MP3**

Micro-sistemul APRC-90 poate reda urmatoarele formate: Audio Discs,MP3,CD-R.

Nu incercati sa redati CD-ROM, CDI, VCD, DVD sau CD-uri pentru computer.

1. Apasati butonul functional pentru a selecta modul CD.
- 2.Pentru a deschide usa pentru CD, apasati butonul de deschidere CD.
- 3.Introduceti un MP3/CD sau CD-R, cu fata printata in sus si apasati usor usa pentru CD pentru a o inchide.
4. Apasati butonul Play/Pause pentru a incepe redarea.
5. Apasati butonul pauza pentru a pune redarea pe pauza oricand. Apasati butonul play din nou, pentru a relua redarea.
6. Apasati STOP pentru a incheia redarea.

Nota: redarea de pe CD/MP3 se va opri, de asemenea, cand:

- Deschideti compartimentul pentru CD;
- Selectati sursa radio;
- Redarea CD/MP3 a ajuns la final.

### **Selectarea diferitelor piese.**

In timpul redarii, puteti sa folositi butoanele Back sau Next pentru a selecta o anumita piesa.

Daca ati selectat un numar de piesa in pozitia STOP sau PAUZA, apasati PLAY pentru a incepe redarea.

Apasati NEXT scurt, o data, pentru urmatoarea piesa, sau apasati repetat pana cand numarul piesei dorite apare pe ecran.

Apasati BACK scurt, o data, pentru a va reintoarce la inceputul piesei curente.

Apasati BACK de doua ori pentru a accesa piesa anterioara.

### **Gasirea unui pasaj intr-o piesa**

1. Apasati si tineti apasat butonul BACK sau NEXT.

CD-ul se va misca la o viteza mai mare.

2.Cand recunoasteti pasajul pe care doriti sa-l ascultati, eliberati butonul BACK sau NEXT.

### **Moduri redare: repetare**

Repetare: Reda continuu piesa curenta.

Repetare toate: reda continuu intregul CD.

Redarea pieselor in ordine aleatorie dupa apasarea butonului RANDOM: piesele se vor reda in ordine aleatorie.

### **Redarea de pe stick USB**

#### **Functii audio USB**

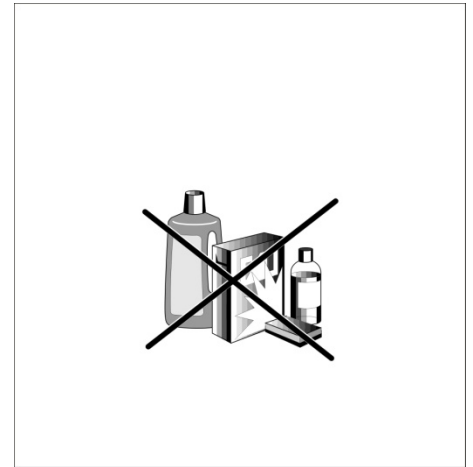
1. Selectati functia USB pentru a intra in modul USB.
2. Apasati NEXT sau BACK pentru a avansa sau a derula inapoi.
3. Programati pana la 99 piese in modul MP3.
4. Moduri redare: exista 4 moduri diferite de redare: Normal->Repeat 1-> Repeat all ->Repeat album->
5. Se pot citi maxim 99 de fisiere de pe stickul USB.
6. Numarul maxim de fisiere suportate intr-un fisier: 999
7. Capacitate maxima suportata: 32GB

**Nota:**Unitatea nu suporta niciun HDD extern.

## INTRETINERE & SIGURANTA

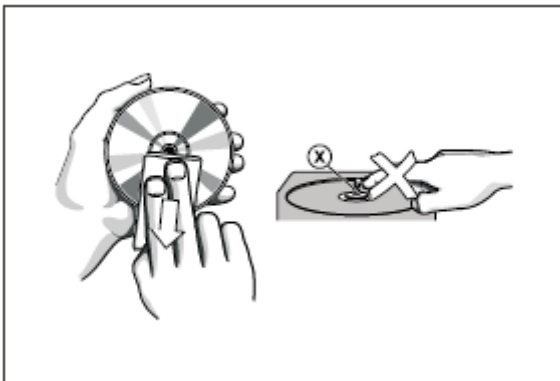
### Masuri de precautie si Intretinere generala

- \* Asezati unitatea pe o suprafata tare si plata, astfel incat unitatea sa nu se incline.
- \* Nu expuneti unitatea, bateriile sau CD-urile la umiditate, ploaie, nisip sau caldura excesiva cauzata de incalzirea echipamentului sau a luminii solare directe.
- \* Nu acoperiti unitatea. Este necesara ventilarea printr-un spatiu de 6 inci (~ 15 cm) intre gaurile de ventilatie si suprafetele inconjuratoare, pentru a preveni acumularea de caldura.
- \* Partile mecanice ale unitatii contin rulmenti lubrifiatii si nu trebuie unsi sau lubrifiatii.
- \* Pentru a curata setul, folositi o carpa moale, uscata. Nu folositi niciun agent de curatare care contine alcool, ammoniac, benzene sau substante abrazive, deoarece acestea pot strica aparatul.



### Player CD si manevrarea CD-ului

- \* Lentila CD-ului nu ar trebui atinsa niciodata!
- \* Schimbarile bruste de temperatura pot cauza condens pe lentila player-ului CD. Astfel redarea unui CD nu este posibila. Nu incercati sa stergeti lentila, dar lasati aparatul intr-un mediu cald, pana cand umezeala se evapora.
- \* Intotdeauna inchideti usa CD-ului pentru a evita depunerea de praf in interiorul compartimentului pentru CD. Pentru curatare, stergeti compartimentul cu o carpa moale, uscata
- \* Pentru a curata CD-ul, stergeti in linie dreapta din centru inspre margine, folosind o carpa moale, fara scame. Nu folositi agenti de curatare, deoarece acestia pot afecta discul. Nu scrieti niciodata pe un CD si nu lipiti etichete pe el.



## **DEPANARE**

Depanare

Daca apare o problema,este important ca mai intai sa verificati punctele listate mai jos inainte de a duce unitatea la reparat.

Nu deschideti unitatea, deoarece exista riscul de electrosocuri.

Daca nu puteti remedia problema prin urmare a acestor sfaturi, consultati dealer-ul sau service-ul autorizat.

**ATENTIONARE:**Sub nicio forma nu incercati sa reparati unitatea singur, deoarece veti pierde garantia.

- Problema
- Solutie

### **Fara sunet / Alimentare**

- Volum nereglat
- Reglarea nivelului volumului
  
- Cablul de alimentare nu este conectat corespunzator
- Conectati corespunzator cablul de alimentare
  
- Baterii descarcate/introduse incorect
- Introduceti corect bateriile

**Afisajul nu functioneaza corect.**

### **Butoanele de control nu functioneaza**

- Descarcare electrostatica
- Opriti si scoateti aparatul din priza. Conectati-l dupa cateva secunde.

### **Nu arata discul**

- Nu exista CD introdus
- Introduceti un CD, MP3, CD-R.
  
- CD foarte zgariat sau murdar
- Inlocuiti / curatati CD-ul. Vezi capitolul "Intretinere".
  
- CD-R este alb sau discul nu este scris complet.
- Folositi un CD-R finalizat.

### **Redarea CD/MP3/USB nu functioneaza**

- CD/MP3/USB este foarte zgariat sau murdar
- Inlocuiti sau curatati CD/MP3/USB (vezi capitolul "Intretinere").
  
- Lentilele laser sunt aburite
- Asteptati pana cand lentila s-a adaptat temperaturii camerei.

### **CD/MP3 sare piese**

- CD/MP3 este avariat sau murdar
- Inlocuiti sau curatati CD/MP3
  
- Programul este activ
- Iesiti din modul Program

## SPECIFICATII TEHNICE

### GENERALE

Alimentare .....	AC: 230V ~ 50Hz
Consum.....	AC 18 Vati
Dimensiuni.....	Aprox.268 mm(L)x 270mm(W) x156 mm(H)
Temperatura operare.....	+5 °C - +35°C

### SECTIUNEA RECEPTORULUI

Benzile de receptie .....	FM ST.
Gama frecventelor.....	FM:87.5-108MHz

### SECTIUNEA COMPACT DISC

Pickup optic .....	.3-raze laser
Frecventa de raspuns.....	100Hz-16KHz

### SECTIUNE AUDIO

Putere de iesire .....	Maxim 2.5 Vati x 2
Impedanta casti .....	4 ~ 32 Omi

### ACCESORII

Manual instructiuni.....	1
Cablu alimentare.....	1

### DEZAFECTAREA echipamentelor electrice si electronice uzate



Acest simbol prezent pe produs sau pe ambalaj semnifică faptul că produsul respectiv nu trebuie tratat ca un deșeu menajer obișnuit. Nu aruncați aparatul la gunoiul menajer la sfârșitul duratei de funcționare, ci duceți-l la un centru de colectare autorizat pentru reciclare. În acest fel veți ajuta la protejarea mediului înconjurător și veți putea împiedica eventualele consecințe negative pe care le-ar avea asupra mediului înconjurător și veți putea împiedica eventualele consecințe negative pe care le-ar avea asupra mediului și sănătății umane.

Pentru a afla adresa celui mai apropiat centru de colectare:

- Contactați autoritățile locale;
- Accesați pagina de internet: [www.mmediu.ro](http://www.mmediu.ro);
- Solicitați informații suplimentare de la magazinul de unde ați achiziționat produsul.

# AKAI

---

**APRC-90**

**ΦΟΡΗΤΟ CD / MP3 PLAYER ΜΕ ΡΑΔΙΟΦΩΝΟ FM  
USB ΚΑΙ ΕΓΓΡΑΦΗ ΚΑΣΕΤΑΣ**



**ΟΔΗΓΙΕΣ ΧΡΗΣΗΣ**

Είναι σημαντικό να διαβάσετε αυτό το εγχειρίδιο χρήσης πριν από τη χρήση του νέου προϊόντος σας για πρώτη φορά.

### **Καλωσόρισμα**

Σας ευχαριστούμε για την αγορά του συστήματος Micro system Player APRC-108. Για να επωφεληθείτε πλήρως από αυτό το προϊόν, ακολουθήστε τις οδηγίες στο παρόν εγχειρίδιο χρήσης πολύ προσεκτικά. Φυλάξτε αυτό το εγχειρίδιο σε ασφαλές μέρος για μελλοντική αναφορά. Είμαστε σίγουροι ότι το νέο σας Micro system θα ικανοποιήσει τις ανάγκες σας.

### **ΠΡΟΕΤΟΙΜΑΣΙΑ ΓΙΑ ΧΡΗΣΗ**

Αποσυσκευασία και εγκατάσταση

- \* Αφαιρέστε προσεκτικά τη μονάδα από το κουτί και αφαιρέστε όλα τα υλικά συσκευασίας από την ίδια τη μονάδα.
- \* Αφαιρέστε τυχόν περιγραφικές ετικέτες που μπορούν να βρεθούν είτε στο μπροστινό ή πάνω μέρος της μονάδας. Μην απομακρύνετε τυχόν ετικέτες που βρίσκονται είτε στο πίσω μέρος ή το κουμπί της μονάδας.
- \* Πατήστε το καπάκι του CD για να ανοίξετε την πόρτα του διαμερίσματος του CD. Υπάρχει μια λευκή κάρτα στο CD το οποίο προορίζεται για την πρόληψη καταστροφής του CD κατά τη μεταφορά του προϊόντος, Αφαιρέστε αυτή την κάρτα από την θήκη του CD πριν από τη χρήση.

### **ΤΡΟΦΟΔΟΣΙΑ**

ΜΕ ΧΡΗΣΗ ΕΝΑΛΛΑΣΣΟΜΕΝΟΥ ΡΕΥΜΑΤΟΣ

9. Ελέγξτε αν η ηλεκτρική τάση που αναγράφεται στην πινακίδα που βρίσκεται στο κάτω μέρος της συσκευής αντιστοιχεί στην τοπική παροχή εναλλασσόμενου ρεύματος σας. Αν δεν το κάνει, συμβουλευτείτε τον αντιπρόσωπό σας ή το εξουσιοδοτημένο σέρβις .
10. Συνδέστε το καλώδιο τροφοδοσίας στην είσοδο AC και στην πρίζα του τοίχου, το τροφοδοτικό είναι τώρα συνδεδεμένο και έτοιμο για χρήση.
11. Για να απενεργοποιήσετε πλήρως τη συσκευή, αποσυνδέστε το καλώδιο τροφοδοσίας από την πρίζα.
12. Αποσυνδέστε το καλώδιο τροφοδοσίας από την πρίζα του τοίχου για να προστατέψετε τη συσκευή σας κατά τη διάρκεια σφοδρών καταιγίδων.

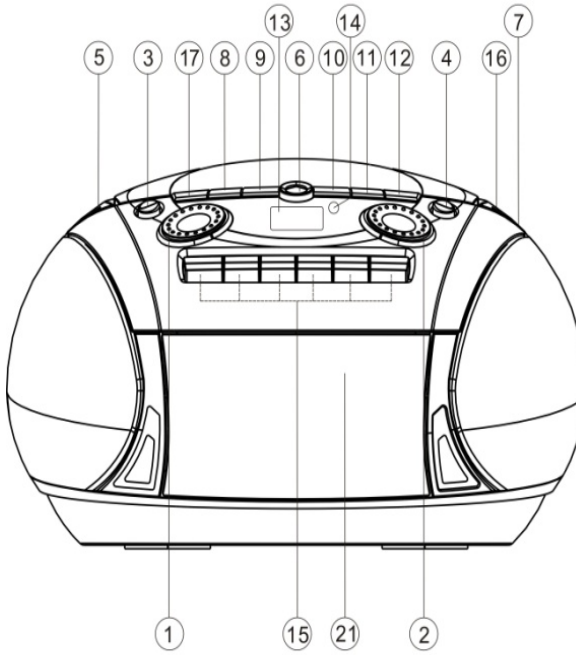
### **ΜΠΑΤΑΡΙΕΣ (ΔΕΝ ΠΕΡΙΛΑΜΒΑΝΟΝΤΑΙ)**

Αφαιρέστε το καπάκι από την υποδοχή των μπαταριών και τοποθετήστε οκτώ μπαταρίες τύπου LR14, UM-2 ή C-κύτταρα, (Αλκαλικές κατά προτίμηση) με τη σωστή πολικότητα, όπως υποδεικνύεται από το "+" και "-" που αναγράφονται στο εσωτερικό του διαμερίσματος

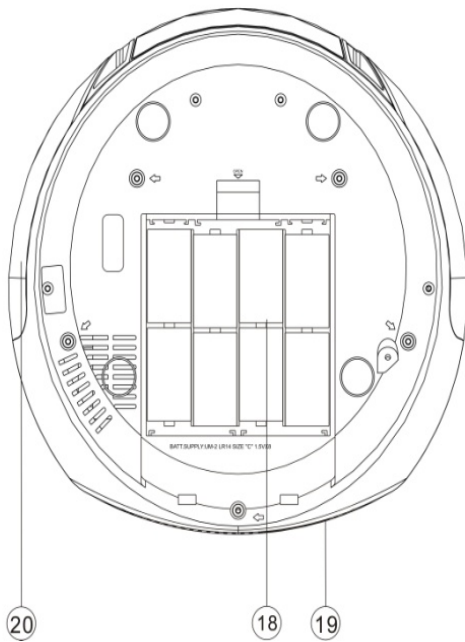
**Οι μπαταρίες περιέχουν χημικές ουσίες, κατά συνέπεια πρέπει να απορρίπτονται σωστά. Η λανθασμένη χρήση των μπαταριών μπορεί να προκαλέσει διαρροή και θα διαβρώσει το διαμέρισμα των μπαταριών ή θα κάνει τις μπαταρίες να ανατιναχθούν.**



1



- 1.VOLUME-/VOLUME+ :  
ΠΛΗΚΤΡΟΕΝΤΑΣΗΣ
- 2.REP-DN/REP-UP ΠΛΗΚΤΡΟ
- 3.ΠΛΗΚΤΡΟPOWER
- 4.ΠΛΗΚΤΡΟ ΕΠΙΛΟΓΗΣ ΛΕΙΤΟΥΡΓΙΑΣ
- 5.ΘΥΡΑ ΑΚΟΥΣΤΙΚΩΝ STEREO
- 6.ΠΛΗΚΤΡΟ ΑΝΟΙΓΜΑΤΟΣ ΘΥΡΑΣ  
CD
- 7.ΘΥΡΑ USB
- 8.ΑΝΑΖΗΤΗΣΗ ΠΡΟΗΓΟΥΜΕΝΟΥ
- 9.ΠΛΗΚΤΡΟ ΣΤΟΠ
- 10.ΠΛΗΚΤΡΟ ΑΝΑΠΑΡΑΓΩΓΗΣ /  
ΠΑΥΣΗΣ
- 11.ΑΝΑΖΗΤΗΣΗ ΕΠΟΜΕΝΟΥ
- 12.ΠΛΗΚΤΡΟ ΕΠΑΝΑΛΗΨΗΣ
- 13.LCD ΟΘΟΝΗ
- 14.ΔΕΙΚΤΗΣ ΑΝΑΜΟΝΗΣ
- 15.ΠΛΗΚΤΡΑ ΛΕΙΤΟΥΡΓΙΑΣ ΚΑΣΣΕΤΑΣ
- 16.FM ΚΕΡΑΙΑ
- 17.ΠΡΟΓΡΑΜΜΑΤΟΣ/ΩΡΑΣ  
ΠΛΗΚΤΡΟ
- 18.ΘΥΡΑ ΜΠΑΤΑΡΙΩΝ
- 19.ΑUX ΒΙΣΜΑ
- 20.AC ΚΑΛΩΔΙΟ ΤΡΟΦΟΔΟΣΙΑΣ
- 21.ΚΑΣΣΕΤΑ



## ΒΑΣΙΚΕΣΛΕΙΤΟΥΡΓΙΕΣ

### 1.ΠΛΗΚΤΡΟ ΕΝΤΑΣΗΣ

- Ρυθμίστε την ένταση.

### 2.PRE-DN/REP-UP BUTTON

- Στη λειτουργία ραδιοφώνου, πατήστε PRE-DN / PRE-UP

Για να επιλέξετε το προηγούμενο κανάλι.

- Στη λειτουργία mp3, πατήστε PRE-DN / PRE-UP

Για να εισέλθετε στον προηγούμενο φάκελο.

### 3.ΠΛΗΚΤΡΟ POWER

-πατήστε για ενεργοποίηση

### 4.FUNCTION SELECT

- για να επιλέξετε ανάμεσα στις λειτουργίες MP3/CD, TAPE(OFF)ή RADIO,απενεργοποίηση.

### 5.ΘΥΡΑΑΚΟΥΣΤΙΚΩΝ STEREO3.5mm

### 6.ΠΛΗΚΤΡΟ ΑΝΟΙΓΜΑΤΟΣ ΘΥΡΑΣ CD

- πατήστε για να ανοίξει η θύρα του CD.

### 7.USB ΘΥΡΑ

-για να ακούσετε αρχεία mp3 από τη USB συσκευή σας

### 8.ΑΝΑΖΗΤΗΣΗ ΠΙΣΩ

επιλογή προηγούμενου κομματιού

- Πατήστε παρατεταμένα περισσότερο από

1,5 δευτερόλεπτο

Πίσω αναζήτηση εσωτερικού κομματιού

### 9.ΣΤΟΡΠΛΗΚΤΡΟ

- σταματάει την αναπαραγωγή από

CD/MP3/USB/διαγραφή προγράμματος CD

### 10.ΠΛΗΚΤΡΟ ΑΝΑΠΑΡΑΓΩΓΗΣ/ΠΑΥΣΗΣ

- Αναπαραγωγή ή παύσηMP3/CD/USB

### 11.ΑΝΑΖΗΤΗΣΗ ΠΙΣΩ

επιλογή επομένου κομματιού

- Πατήστε παρατεταμένα περισσότερο από

1,5 δευτερόλεπτο αναζήτηση εμπρός

εσωτερικού κομματιού

### 12.Πλήκτρο επανάληψης

- για επανάληψη κομματιού από CD/MP3/USB.

### 13.LCD ΟΘΟΝΗ

- Εμφανίζει τη συχνότητα FM

- Εμφανίζει τον αριθμό του κομματιού

### 14.STANDBY Λυχνία

### 15.ΠΛΗΚΤΡΑ ΚΑΣΣΕΤΑΣ

RECORD ( ● ) - εγγραφή

PLAY ( ◀ ) - αναπαραγωγή

F.REW ( ▶▶ ) - πλήκτρο γρήγορης μετάβασης πίσω προς την αρχή

F.FWD ( ◀◀ ) - πλήκτρο γρήγορης μετάβασης εμπρός προς το τέλος

STOP/EJECT ( ■ ▲ ) –σταματάει την

αναπαραγωγή/ανοίγει την θύρα της κασέτας

PAUSE ( ▶|| ) - διακόπτει την εγγραφή ή την αναπαραγωγή

### 16.FMΚΕΡΑΙΑ

- για καλύτερο συντονισμό των σταθμών

### 17. ΠΡΟΓΡΑΜΜΑ / ΩΡΑ

-Στη λειτουργία αναμονής, για να ρυθμίσετε την ώρα της μονάδας.

-Προγραμματισμός και ανασκόπηση

προγραμματισμένων αριθμών κομματιών.

-Στην κατάσταση λειτουργίας, πιέστε προς τα κάτω αυτό το κουμπί για προγραμματισμό κομματιών στοCD / MP3.

### 18.ΘΥΡΑ ΜΠΑΤΑΡΙΩΝ

Για να έχετε πρόσβαση στο θάλαμο μπαταριών

19.AUXΒύσμα

### 20.AC ΚΑΛΩΔΙΟΤΡΟΦΟΔΟΣΙΑΣ

### 21.ΘΑΛΑΜΟΣ ΚΑΣΕΤΑΣ.

## ΧΡΗΣΗ ΩΡΑΣ

Για να ρυθμίσετε την ώρα της μονάδας

1. Συνδέστε το AC στο (Η ακόλουθη εργασία θα πρέπει να είναι στην κατάσταση αναμονής).
2. Πατήστε το πλήκτρο TIME, ο χρόνος θα αρχίσει να αναβοσβήνει στην οθόνη LCD.
3. Πατήστε CLK-, CLK + για να επιλέξετε τον αριθμό του χρόνου. Μπορείτε να πατήσετε παρατεταμένα το πλήκτρο λειτουργίας για αλλαγή μορφή ώρας από 12h ή 24h.
4. Πατήστε το κουμπί για επιβεβαίωση.
5. Στη συνέχεια, μπορείτε να ρυθμίσετε την ώρα και τα λεπτά με την ίδια μέθοδο βήματα 3-4.
6. Μετά τη ρύθμιση της ώρας της μονάδας, πατήστε παρατεταμένα το κουμπί της ώρας για να ρυθμίσετε την ώραενεργοποίησης της μονάδας, με την ίδια μέθοδο των βημάτων 3-4.

Σημείωση: αφού ρυθμίσετε την ώρα έναρξης, η οθόνη lcd θα εμφανίσει τη λειτουργία ραδιοφώνου / cd / usb / aux, πιέστε το back ή next για να επιλέξετε τη λειτουργία και, στη συνέχεια, πιέστε το πλήκτρο ώρας για να επιβεβαιώσετε, διαφορετικά παίζει πρώτα τη λειτουργία usb ή aux..

## ΧΡΗΣΗ RADIO

1. Πατήστε το κουμπί Επιλογή Λειτουργίας RADIO.
2. Συντονιστείτε στην απαιτούμενη συχνότητα πιέζοντας BACK, NEXT ή PLAY / PAUSE / TIME.  
Χειροκίνητος συντονισμός: Πατήστε και κρατήστε πατημένο το κουμπί BACK ή το κουμπί NEXT.  
Auto Tuning: Πατήστε και κρατήστε πατημένο το κουμπί PLAY / PAUSE / ώρα για να ξεκινήσετε τη λειτουργία αυτόματης σάρωσης.  
Αποθήκευση Σταθμών: (30 μνήμες FM)  
(1) Πατήστε το BACK ή NEXT επιλέξετε επιθυμητό σταθμό.  
(2) Πατήστε το κουμπί MEMORY μία φορά, θα εμφανιστεί η ένδειξη αριθμού μνήμης.  
(3) Πατήστε BACK ή NEXT για να επιλέξετε τον επιθυμητό αριθμό.  
(4) Πατήστε το κουμπί MEMORY για να αποθηκεύσετε το σταθμό.  
(5) Επαναλάβετε τα βήματα (1) έως (4) για να αποθηκευτεί άλλους σταθμούς στη μνήμη.
3. Μετά το τέλος του προγραμματισμού. Πατήστε το κουμπί PLAY / PAUSE / TIME στη μονάδα, Πατήστε τα αριθμητικά πλήκτρα για να επιλέξετε τη συχνότητα που θέλετε να παίξετε.
4. Πατήστε το πλήκτρο [VOL-] ή [VOL +] για να ρυθμίσετε την ένταση του ήχου.
5. Η εξωτερική FM τηλεσκοπική κεραία είναι κατευθυντική. (Όταν λαμβάνετε μια εκπομπή FM, επεκτείνετε πλήρως την τηλεσκοπική κεραία και περιστρέψτε τη για καλύτερη λήψη.)
6. Απενεργοποιήστε το ραδιόφωνο πατώντας το κουμπί FUNCTION για να επιλέξετε μια άλλη λειτουργία ή πατήστε το κουμπί λειτουργίας για να απενεργοποιήσετε τη μονάδα.
7. Η συχνότητα έχει αποθηκευτεί στη μνήμη τη στιγμή και θα εμφανιστεί όταν η μονάδα ξανά ενεργοποιηθεί και πάλι.

## ΧΡΗΣΗ AUX

1. Συνδέστε το AUXIN της μονάδας σε μια πηγή ήχου, για παράδειγμα, MP3 player με ένα καλώδιο ήχου.
2. Πιέστε επανειλημμένα το πλήκτρο FUNCTION για να μεταβείτε στη λειτουργία AUX.
3. Χρησιμοποιήστε τα εγγενή στοιχεία ελέγχου στη συνδεδεμένη συσκευή ήχου για να ξεκινήσετε την αναπαραγωγή μουσικής μέσω της συνδεδεμένης μονάδας.
4. Ρυθμίστε το επίπεδο έντασης ήχου της συσκευής και το επίπεδο μονάδας στο επιθυμητό επίπεδο έντασης σας

## ΜΕΘΟΔΟΣ ΠΡΟΓΡΑΜΜΑΤΟΣ

(1) Πατήστε το πλήκτρο [PROGRAM] στη λειτουργία STOP, το σύστημα θα μεταβεί στη λειτουργία PROGRAM.

- Το εικονίδιο PRG και το P01 θα αναβοσβήνουν στα 2Hz. Αυτό προτρέπει τον χρήστη να εισάγει τα πρώτα τραγούδια στη λίστα προγραμμάτων.

(2) Ο χρήστης μπορεί να επιλέξει τα επιθυμητά κομμάτια χρησιμοποιώντας τα πλήκτρα [NEXT], [BACK].

- Αφού πιέσετε αυτά τα πλήκτρα, στην οθόνη θα εμφανιστεί το επιλεγμένο κομμάτι.

(3) Αφού επιλέξετε το επιθυμητό κομμάτι, πατήστε ξανά το πλήκτρο [PROGRAM] και θα αποθηκευτεί στη μνήμη.

- Mp3 max99 και CD max 20 κομμάτια μπορούν να προγραμματιστούν όταν επαναλαμβάνονται τα βήματα (2) έως (3).

(4) Εάν πατήσετε το πλήκτρο [STOP] κατά τη διάρκεια της λειτουργίας προγράμματος, τότε θα αποθηκευτούν τα επιλεγμένα κομμάτια

- Στη μνήμη και επιστροφή στη λειτουργία STOP (λειτουργία συνεχούς αναπαραγωγής)

(5) Εάν πατήσετε το πλήκτρο [PLAY] κατά τη διάρκεια της λειτουργίας προγράμματος, θα ξεκινήσει η λειτουργία PLAY του προγράμματος.

- Το PLAY ξεκινά από το P01 Track

Διαγραφή προγράμματος

Μπορείτε να διαγράψετε το περιεχόμενο της μνήμης:

- Κατά την αναπαραγωγή, πατήστε το κουμπί STOP δύο φορές.

- Ανοίξτε την πόρτα του CD

- Επιλέξτε την άλλη λειτουργία

## ΧΡΗΣΗ ΚΑΣΣΕΤΑΣ

### ΚΑΤΑΝΟΗΣΗ ΤΩΝ ΚΟΥΜΠΙΩΝ

RECORD - Πατήστε για εγγραφή από το ραδιόφωνο ή την αναπαραγωγή CD.

PLAY - Πατήστε για αναπαραγωγή κασετών.

REW - Από τη λειτουργία διακοπής, πατήστε για να γυρίσετε την ταινία προς τα πίσω F.FWD -

Από τη λειτουργία διακοπής, πατήστε για να προωθήσετε την ταινία προς το τέλος.

STOP / E.J. - Πατήστε για να διακόψετε την τρέχουσα δραστηριότητα της ταινίας ή για να ανοίξετε την πόρτα της κασέτας όταν δεν υπάρχουν ενεργά κουμπιά.

PAUSE - Πατήστε για να διακόψετε την αναπαραγωγή της ταινίας ή τη λειτουργία εγγραφής, πατήστε τη δεύτερη φορά για να συνεχίσετε την αναπαραγωγή ταινίας ή τη λειτουργία εγγραφής ταινίας.

### ΑΝΑΠΑΡΑΓΩΓΗ ΚΑΣΣΕΤΑΣ

1. Πατήστε το κουμπί FUNC για να επιλέξετε τη λειτουργία TAPE.

2. Πατήστε STOP / E.J. Για να ανοίξετε την πόρτα του κασετοφώνου.

3. Τοποθετήστε μια κασέτα που έχει εγγραφεί και κλείστε τη θύρα του διαμερίσματος κασέτας.

4. Πατήστε PLAY για να ξεκινήσει η αναπαραγωγή.

5. Για να διακόψετε την αναπαραγωγή, πατήστε PAUSE. Για να συνεχίσετε, πατήστε ξανά το πλήκτρο.

6. Πατήστε REW / F.FWD για να μετακινήσετε την ταινία στο επιθυμητό σημείο εκκίνησης.

7. Ρυθμίστε την ένταση στο επιθυμητό επίπεδο ακρόασης.

8. Για να σταματήσετε την ταινία, πιέστε STOP / E.J.

- Τα πλήκτρα απελευθερώνονται αυτόματα στο τέλος της ταινίας, εκτός εάν έχει ενεργοποιηθεί η λειτουργία PAUSE.

## ΕΓΓΡΑΦΗ

### ΓΕΝΙΚΕΣ ΠΛΗΡΟΦΟΡΙΕΣ ΓΙΑ ΤΗΝ ΕΓΓΡΑΦΗ

\* Η εγγραφή είναι αποδεκτή στο βαθμό που τα πνευματικά δικαιώματα τρίτων δεν παραβιάζονται

\* Το κατάστρωμα αυτό δεν είναι κατάλληλο για εγγραφή σε CHROME (IEC II) ή της κασέτας τύπου METAL (IEC IV).

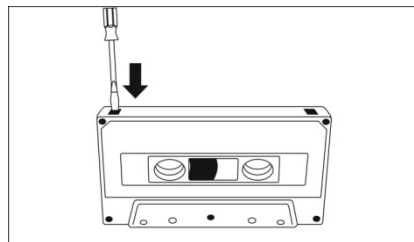
Για εγγραφή, χρησιμοποιήστε NORMAL (IEC I) στις οποίες δεν έχουν σπάσει οι γλωττίδες.

\* Το καλύτερο επίπεδο κωδικοποίησης ρυθμίζεται αυτόματα, αλλάζοντας το VOLUME

Τα χειριστήρια δεν θα επηρεάσουν την τρέχουσα εγγραφή.

\* Για να προστατέψετε μια ταινία από τυχαία διαγραφή, βάλτε την ταινία μπροστά σας και σπάστε την αριστερή γλωττίδα.

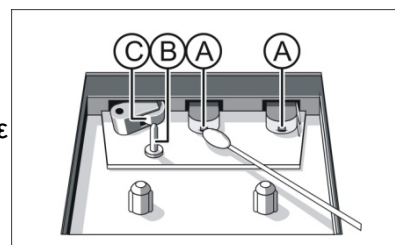
Για να καταγράψετε ξανά αυτή την πλευρά, καλύψτε τις γλωττίδες με ένα κομμάτι κολλητικής ταινίας.



### ΣΥΝΤΗΡΗΣΗ

Για να διασφαλίσετε την ποιότητα εγγραφής και αναπαραγωγής του κασετοφώνου, καθαρίστε τα μέρη A, B και C που φαίνονται στο παρακάτω διάγραμμα, μετά από περίπου.

50 ώρες λειτουργίας, ή κατά μέσο όρο μία φορά το μήνα, χρησιμοποιήστε Μια βαμβακερή μπατονετα ελαφρώς υγραμένο με αλκοόλ ή ειδικό υγρό καθαρισμού για να καθαρίσετε το κατάστρωμα.



1, Ανοίξτε την πόρτα της κασέτας πατώντας STOP \* EJECT.

2, Πατήστε PLAY και καθαρίστε τους κυλίνδρους πίεσης από καουτσούκ C

3, Πιέστε το PAUSE και καθαρίστε τις μαγνητικές κεφαλές A και το Capstan B

4, Μετά τον καθαρισμό, πατήστε STOP \* EJECT.

## Αναπαραγωγή CD/MP3

Το σύστημα Micro APRC-90 μπορεί να αναπαραγάγει τις ακόλουθες μορφές: Δίσκοι ήχου, MP3, CD-R.

Μην επιχειρήσετε να αναπαράγετε δίσκους CD-ROM, CDI, VCD, DVD ή CD του υπολογιστή.

1. Πατήστε το κουμπί λειτουργίας για να επιλέξετε τη λειτουργία CD.
2. Για να ανοίξετε την πόρτα CD, πατήστε το κουμπί CD open.
3. Τοποθετήστε ένα MP3 / CD ή CD-R με την εκτύπωση προς τα πάνω και πιέστε απαλά την θύρα του CD να κλείσει.
4. Πατήστε το κουμπί αναπαραγωγής / παύσης στη μονάδα για να ξεκινήσετε την αναπαραγωγή.
5. Πατήστε το κουμπί παύσης για παύση ανά πάσα στιγμή. Πατήστε ξανά το κουμπί αναπαραγωγής για να συνεχίσετε την αναπαραγωγή.
6. Πατήστε STOP, για να τερματίσετε την αναπαραγωγή του CD.

Σημείωση: Η αναπαραγωγή CD / MP3 θα σταματήσει επίσης όταν:

- Ανοίξετε το διαμέρισμα CD.
  - Επιλέξετε την πηγή ραδιοφώνου.
  - Το CD / MP3 έφτασε στο τέλος.
- Επιλογή διαφορετικού κομματιού.

Κατά τη διάρκεια της αναπαραγωγής μπορείτε να χρησιμοποιήσετε τα πλήκτρα Back ή Next για να επιλέξετε ένα συγκεκριμένο κομμάτι.

Αν έχετε επιλέξει έναν αριθμό κομματιού ενώ βρίσκεστε σε θέση διακοπής ή παύσης, πατήστε το πλήκτρο αναπαραγωγής για να ξεκινήσετε την αναπαραγωγή.

Πατήστε next μια σύντομη φορά για το επόμενο κομμάτι, ή πατήστε παρατεταμένα μέχρι ο αριθμός από το επιθυμητό κομμάτι εμφανιστεί στην οθόνη. Πατήστε μία φορά πίσω για να επιστρέψετε στην αρχή του κομματιού.

Πατήστε δύο φορές πίσω για να αποκτήσετε πρόσβαση στο προηγούμενο Κομμάτι.

Αν θέλετε να μετακινηθείτε μέσα στο κομμάτι:

1. Πατήστε και κρατήστε πατημένο το πίσω ή το επόμενο κουμπί.  
Το CD θα κινηθεί με μεγαλύτερη ταχύτητα.
2. Όταν αναγνωρίσετε το σημείο του κομματιού που θέλετε απλά, αφήστε το πλήκτρο.

## Λειτουργίες αναπαραγωγής: επανάληψη.

Επανάληψη: Αναπαράγει συνεχώς το τρέχον κομμάτι.

Επανάληψη όλων: Αναπαράγεται συνεχώς ολόκληρο το cd.

Αναπαραγωγή κομματιών με τυχαία σειρά, αφού πατήσετε το κουμπί random, τα κομμάτια θα αναπαραχθούν με τυχαία σειρά.

## Αναπαραγωγή USB

Λειτουργίες ήχου USB

1. Επιλέξτε τη λειτουργία USB για είσοδο στη λειτουργία USB.
2. Πιέστε NEXT ή BACK για το επόμενο ή προηγούμενο κομμάτι.
3. Προγραμματίστε έως 99 κομμάτια σε λειτουργία MP3.
4. Τρόποι αναπαραγωγής: υπάρχουν 4 διαφορετικές λειτουργίες αναπαραγωγής: Κανονική-> Επανάληψη 1-> Επανάληψη όλων -> Επανάληψη άλμπουμ->
5. Μπορείτε να διαβάσετε 99 φακέλους από το USB.
6. Μέγιστα αρχεία που υποστηρίζονται σε 1 φάκελο: 999
7. Μέγιστη υποστηριζόμενη χωρητικότητα: 32GB

Σημείωση: Η μονάδα δεν υποστηρίζει κανένα εξωτερικό σκληρό δίσκο.

## ΣΥΝΤΗΡΗΣΗ & ΑΣΦΑΛΕΙΑ

### Προφυλάξεις & Γενική Συντήρηση

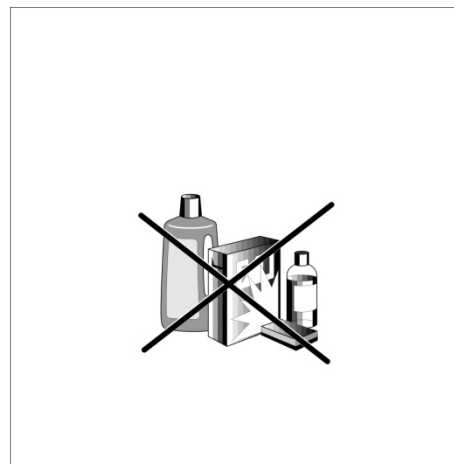
\* Τοποθετήστε τη μονάδα σε σκληρή και επίπεδη επιφάνεια, έτσι ώστε η μονάδα να μην μπορεί να γέρνει.

\* Μην εκθέτετε τη μονάδα, τις μπαταρίες ή τα CD σε υγρασία, βροχή, άμμο ή υπερβολική θερμότητα που προκαλείται από εξοπλισμό θέρμανσης ή απευθείας ηλιακό φως.

\* Μην καλύπτετε τη συσκευή. Για την πρόληψη της συσσώρευσης θερμότητας είναι απαραίτητος ο επαρκής αερισμός με ένα ελάχιστο διάκενο 6 ιντσών μεταξύ των οπών εξαερισμού και των γύρω επιφανειών.

\* Τα μηχανικά μέρη της μονάδας περιέχουν αυτο-λιπαντικά έδρανα και δεν πρέπει να λιπαίνονται

\* Για να καθαρίσετε τη συσκευή, χρησιμοποιήστε ένα μαλακό πανί. Μην χρησιμοποιείτε καθαριστικά που περιέχουν αλκοόλη, αμμωνία, βενζόλιο ή λειαντικά, καθώς αυτά μπορεί να βλάψουν το περίβλημα.



### ΧΕΙΡΙΣΜΟΣ ΚΑΙ ΣΥΝΤΗΡΗΣΗ ΕΝΟΣ ΔΙΣΚΟΥ

Το «μάτι» του CD player δεν πρέπει ποτέ να αγγιχτεί!

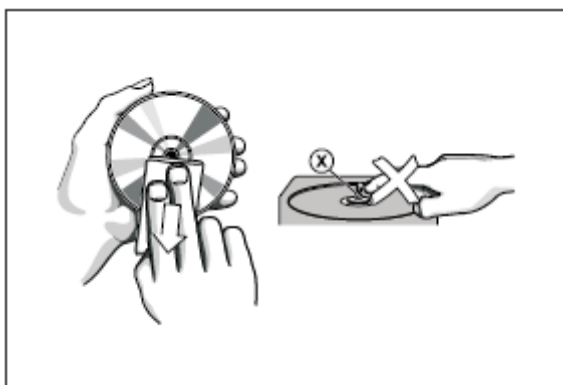
\* Οι ξαφνικές αλλαγές στη θερμοκρασία περιβάλλοντος μπορεί να προκαλέσουν συμπύκνωση το «μάτι» του CD player να θολώσει. Η αναπαραγωγή ενός CD δεν είναι επομένως δυνατή. Μην επιχειρήσετε να καθαρίσετε το «μάτι» αλλά αφήστε το σε ζεστό περιβάλλον μέχρι να εξατμιστεί η υγρασία.

\* Πάντα να κλείνετε την πόρτα του CD για να κρατήσετε τη θήκη CD χωρίς σκόνη. Για να καθαρίσετε, σκουπίστε τη μονάδα με ένα μαλακό, στεγνό πανί.

\* Για να καθαρίσετε το CD, σκουπίστε σε μια ευθεία γραμμή από το κέντρο προς την άκρη χρησιμοποιώντας ένα μαλακό πανί που δεν αφήνει χνούδι.

Μη χρησιμοποιείτε καθαριστικά, διότι μπορεί να προκαλέσουν ζημιά στον δίσκο.

Ποτέ μην γράφετε σε ένα CD ή επισυνάπτετε αυτοκόλλητα σε αυτό.



## **ΑΝΤΙΜΕΤΩΠΙΣΗ ΠΡΟΒΛΗΜΑΤΩΝ**

Σε περίπτωση βλάβης, είναι σημαντικό να ελέγξετε πρώτα τα σημεία που αναφέρονται παρακάτω πριν πάρετε τη μονάδα για επισκευή.

Μην ανοίγετε τη συσκευή καθώς υπάρχει κίνδυνος ηλεκτροπληξίας.

Αν δεν μπορείτε να αντιμετωπίσετε κάποιο πρόβλημα ακολουθώντας αυτές τις συμβουλές, συμβουλευτείτε τον αντιπρόσωπο ή το κέντρο σέρβις.

**ΠΡΟΕΙΔΟΠΟΙΗΣΗ: Σε καμία περίπτωση δεν πρέπει να προσπαθήσετε να επισκευάσετε τη μονάδα μόνοι σας, καθώς αυτό θα ακυρώσει την εγγύηση.**

- Πρόβλημα

- Λύση

### **Δεν υπάρχει ήχος / ισχύς**

- Η ένταση δεν έχει ρυθμιστεί

- Ρυθμίστε το επίπεδο έντασης

- Το καλώδιο τροφοδοσίας δεν είναι καλά συνδεδεμένο

- Συνδέστε σωστά το καλώδιο τροφοδοσίας εναλλασσόμενου ρεύματος

- Λανθασμένες / εσφαλμένες μπαταρίες

- Τοποθετήστε σωστά τις καινούριες μπαταρίες

**Η οθόνη δεν λειτουργεί σωστά.**

Δεν υπάρχει αντίδραση στη λειτουργία οποιουδήποτε από τα πλήκτρα

- Ηλεκτροστατική εκφόρτιση

- Απενεργοποιήστε και αποσυνδέστε τη μονάδα. Συνδέστε το μετά από μερικά δευτερόλεπτα

### **Δεν υπάρχει ένδειξη δίσκου**

- Δεν έχει τοποθετηθεί CD

- Τοποθετήστε ένα CD, MP3, CD-R.

- CD γδαρμένο ή βρώμικο

- Αντικατάσταση / καθαρισμός του CD. Ανατρέξτε στην ενότητα Συντήρηση.

- Το CD-R είναι κενό ή ο δίσκος δεν έχει οριστικοποιηθεί

- Χρησιμοποιήστε ένα οριστικοποιημένο CD-R.

### **Η αναπαραγωγή CD / MP3 / USB δεν λειτουργεί**

- CD / MP3 / USB γδαρμένο ή βρώμικο

- Αντικαταστήστε ή καθαρίστε το CD / MP3 / USB (ανατρέξτε στη συντήρηση)

- Ο φακός λέιζερ ζεστάνει

- Περιμένετε έως ότου ο φακός έχει ρυθμιστεί σε θερμοκρασία δωματίου.

### **Το CD / MP3 παραλείπει τα κομμάτια**

- CD / MP3 είναι κατεστραμμένο ή βρώμικο

- Αντικαταστήστε ή καθαρίστε το CD / MP3

- Το πρόγραμμα είναι ενεργό

- Κλείσιμο λειτουργίας (ων) προγράμματος



## ΤΕΧΝΙΚΕΣ ΠΡΟΔΙΑΓΡΑΦΕΣ

### ΓΕΝΙΚΑ

Απαιτήσεις ισχύος.....AC: 230V ~ 50Hz

Κατανάλωση ενέργειας.....AC 18 Watts

Διαστάσεις .....Approx.268 mm(L)x 270mm(W) x156 mm(H)

Θερμοκρασία λειτουργίας.....+5 °C - +35°C

### ΔΕΚΤΗΣ FM

Λήψη ζωνών.....FMST.

Εύρος συντονισμού.....FM:87.5-108MHz

### ΤΜΗΜΑ COMPACTDISC

Οπτική παραλαβή..... 3-BeamLaser

Απόκριση συχνότητας..... 100Hz-16KHz

### ΗΧΟΣ

Ισχύς εξόδου .....Maximum 2.5 Wattx 2

Αντίσταση ακουστικών.....4 ~ 32 Ohms

### ΑΞΕΣΟΥΑΡ

Εγχειρίδιο οδηγιών.....1

Καλώδιο AC.....1

### ΑΠΟΡΡΙΨΗ ΧΡΗΣΙΜΟΠΟΙΗΜΕΝΟΥ ΗΛΕΚΤΡΙΚΟΥ ΚΑΙ ΗΛΕΚΤΡΟΝΙΚΟΥ ΕΞΟΠΛΙΣΜΟΥ

Η έννοια του συμβόλου στο υλικό, το εξάρτημα ή τη συσκευασία υποδεικνύει ότι το προϊόν δεν πρέπει να αντιμετωπίζεται όπως τα οικιακά απορρίμματα. Παρακαλούμε, απορρίψτε αυτόν τον εξοπλισμό σε σημείο συλλογής για την ανακύκλωση των ηλεκτρικών και ηλεκτρονικών αποβλήτων εξοπλισμού, στην Ευρωπαϊκή Ένωση και άλλες ευρωπαϊκές χώρες, που υπάρχει χωριστή συλλογή αυτού του προϊόντος. Σας παρακαλούμε να μην πετάτε τις παλιές ηλεκτρικές και ηλεκτρονικές σας συσκευές με απορρίμματα του σπιτιού σας.



Για πιο λεπτομερείς πληροφορίες σχετικά με την ανακύκλωση αυτού του προϊόντος, παρακαλούμε επικοινωνήστε με το τοπικό γραφείο του δήμου σας, την υπηρεσία αποκομιδής οικιακών απορριμμάτων ή το κατάστημα από το οποίο αγοράσατε το προϊόν.