

AKAI

user manual

APRC-108

Portable CD/MP3 Player with FM Radio and USB/Bluetooth



It is important to read this user manual prior to using your new product for the first time.

Welcome

Thank you for purchasing the Micro system Player APRC-108. In order to fully benefit from this product, please follow the instructions in this user manual very carefully. Store this user manual in a safe place for future reference. We are sure your new Micro system will satisfy your needs.

PREPARATION FOR USE

Unpacking and Setup

- * Carefully remove the unit from the display carton and remove all packing material from the unit itself.
- * Remove any descriptive labels that may be found on either the front or top cabinet of the unit. Do not remove any labels located on either the back or bottom cabinet of the unit.
- * Press the CD door OPEN Button to open the CD compartment door. There is a white card in the CD compartment which is intended to prevent the CD pickup from moving during shipment of the product, Remove this card from the CD compartment before use.

POWER SUPPLY

Using AC Power

1. Check if the power voltage, as shown on the type plate located on the bottom of the set, corresponds to your local AC power supply. If it does not, consult your dealer or service center.
2. Connect the power cord to the AC socket inlet and the wall outlet, the power supply is now connected and ready for use.
3. To switch off completely, unplug the power cord from the wall outlet.
4. Unplug the power cord from the wall outlet to protect your set during heavy thunderstorms.

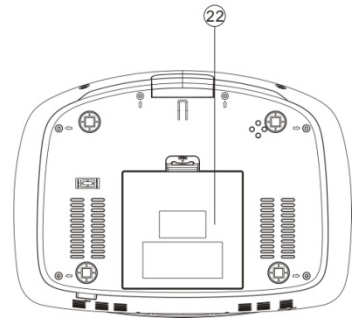
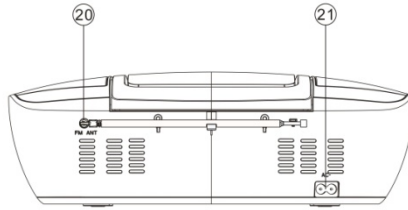
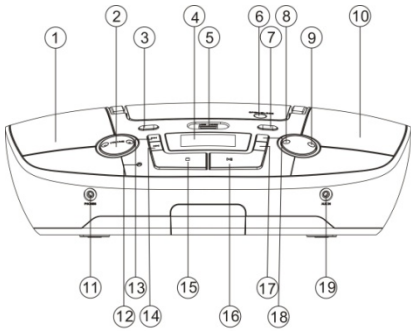
Batteries (not included)

Open the battery compartment and insert eight batteries, type LR14, UM-2 or C-cells, (Preferably Alkaline) with the correct polarity as indicated by the "+" and "-" symbols inside the compartment

Batteries contain chemical substances, so they should be disposed of properly.

Incorrect use of batteries can cause electronic leakage and will corrode the compartment or cause the batteries to burst. Therefore:

OVERVIEW OF THE PLAYER



LOCATION OF CONTROLS

1&10.LEFT&RIGHT SPEAKER

2.VOLUME BUTTON

3. POWER BUTTON

4.LCD DISPLAY

5.USB JACK

6. CD DOOR

7. FUNCTION SELECT

8.P-DN BUTTON

9.P-UP BUTTON

11.STEREO HEADPHONE JACK

12. STANDBY INDICATOR

13. NEXTBUTTON

14. BACKBUTTON

15.STOPBUTTON

16.PLAY/PAUSE BUTTON

17.REPEAT BUTTON

18. TIME/PROGRAM BUTTON

19.AUX IN JACK

20. FM ANTENNA

21. AC SOCKET

22. BATTERY DOOR

POWER SUPPLY:

- **BATTERY OPERATION**

1. Remove the battery compartment cover gently.
2. Install 8 x 'C' size batteries (UM-2 or equivalent) while observing the correct polarities.
3. Replace the battery compartment cover.

NOTE:

1. The AC cord must be detached from the AC socket of the player.
2. Leaking batteries may damage the battery cabinet and the player as a whole, so they should be removed from the cabinet when becoming flat or when the player is not to be played on batteries for some time.

- **AC OPERATION**

Insert the AC cord to the AC socket of the player, and plug the other end to an applicable wall outlet.

NOTE:

1. Please be sure the AC Voltage Selector is switched to your local voltage if applicable.
2. If the AC plug of this unit does not fit in with your AC outlet, a plug adaptor should be used. Consult your local dealer on the type of plug adaptor.

SET UP CLOCK TIME

1. At Standby mode, Press **TIME/PROGRAM** button once, Time format 12 H or 24 H will flash on display.
2. Press **NEXT or BACK** button to select 12 H or 24 H format, Press **TIME/PROGRAM** button to confirm your selection.
3. HOUR Digital "XX" will flash. Press **NEXT or BACK** button to set up hour, and then Press **TIME/PROGRAM** button to confirm.
4. Minute Digital "XX" will flash. Press **NEXT or BACK** button to set up hour, and then Press **TIME/PROGRAM** button to confirm.

SET UP WAKE UP TIME TO TURN ON/ OFF UNIT:

1. After successfully set up clock time, Press and hold **TIME/PROGRAM** button to enter into set up menu until ON show on display.
2. You can start set up time to tune on unit, 00 :00 will flash on display, Press **NEXT or BACK** button to set up time to wake up to turn on unit. Press **TIME/PROGRAM** button to confirm.
3. Set up time to turn off unit, 00 :00 will flash on display, Press **NEXT or BACK** button to set up time to wake up to turn off unit. Press **TIME/PROGRAM** button to confirm.
4. Set up wake up from difference source, Press **NEXT or BACK** button to select Radio / USB / CD / Bluetooth /AUX mode. Press **TIME/PROGRAM** button to confirm.

5. Set up Volume level, Press **NEXT or BACK** button to select volume level, Press **TIME/PROGRAM** button to confirm.

To Play the RADIO

1. Press power button to power on unit.
2. Press repeatedly **FUNCTION** button to select RADIO Mode, RADIO will show on display.
3. To launch the auto-searching, Rotate and hold the TUN+/- several seconds and for shortly to tune the radio stations manually.
4. Press **Play/Pause** button to auto-scan all stations and then auto-save preset station.
5. The external FM TELESCOPIC ANTENNA are directional. (When you are receiving an FM broadcast, fully extend the TELESCOPIC ANTENNA and rotate it for the best reception.)
6. Adjust the volume level to a comfortable listening level.
7. Press POWER button once to turn off the radio.

STORE & RECALL YOUR FAVORITE RADIO STATION:

1. During listen to FM Radio, Press **TIME/PROGRAM** button to store the current station as a preset station. The Preset NO will flash on the LCD display.
2. Press **P-DN** or **P-UP** button repeatedly to select the corresponding memory NO from P01 – P30 to store it.
3. Press **TIME/PROGRAM** button to confirm your selection.
4. Repeat above steps to store other preset stations.
5. During listen to FM Radio, Repeatedly Press **P-DN** or **P-UP** button to recall your preset station.

CD OPERATION:

Playing compact disc CD-R/RW playback compatible

HANDLING AND MAINTENANCE OF A DISC:

Follow the instructions below to handle and maintain your disc in order that long time and trouble free performance can possibly be obtained:

- Ensure not to caress the rain bow side of the disc; handle the disc by the edge.
- Long time exposure to sunshine, high temperatures and humidity will damage the disc. And keep storage area clean.
- Avoid sticking labels on both sides of a disc. Writing with pointed articles on the disc should be strictly avoided.
- Clean the disc wiping the center and then working out to the edge with a dry & soft cloth or a disc brush. Avoid any cleansing lotion or chemical eradicator.
- Store them in their cases when they are not to be used.



HANDLE DISC ONLY AS SHOWN



CLEAN FROM CENTER TO EDGE



DO NOT STORE NEAR HEAT

LOAD A DISC

1. Open the CD door by the Door open area.
2. Load a disc on the disc tray with the label side facing up.
3. Close the CD door.

PLAY A DISC

1. Press **Power** button to power on unit.
2. Press repeatedly **FUNCTION** button to select CD Mode, CD will show on display.
3. When CD DOOR is closed with CD disc inside, total track number in the disc will be shown on LCD DISPLAY and then start playback from the firstly track.
4. If there has no disc inside, LCD DISPLAY will show "NO" and go to stop.
5. Press Play/Pause button once to pause music playback, Press Play/Pause button again to resume music playback.
6. Press NEXT or BACK button once, it will go to next track or go back to previous track.
7. Press and hold NEXT or BACK button, it will faster search the track with audible high-speed forward or backward playback.
8. If MP3 music is stored into different folders, you've to select the specific folder number first by pressing P-DN or P-UP button.
9. Press STOP BUTTON once to stop CD playback.

Repeat mode

1. **Repeat one mode** ---During CD playback, Press **Repeat** button once, Repeat 1 indicator “**REP**.” will be shown on LCD DISPLAY. This single track of music will be repeated.
2. **Repeat ALL mode** ---During CD playback, Press **Repeat** button twice, Repeat ALL indicator “**REP** ALL.” will be shown on LCD DISPLAY. The whole disc can be played repeatedly.
3. To cancel Repeat function----Press Repeat button repeatedly until Repeat indicator disappears from LCD DISPLAY.

Program Mode

1. During CD stop mode, press PROGRAM button once. The “PROGRAM” indicator and number of Program to be memorized starts from the first program “**PO 1**” will light up
2. Press NEXT or BACK button to select your desired musical track, LCD DISPLAY will show the appropriate track number. Press PROGRAM button to store this track in memory.
3. Repeat above procedure until all desired tracks have been programmed. A total of 20 tracks can be stored in memory.
4. Press CD PLAY/PAUSE BUTTON once to start the program playback.
5. To check the program, you have stored after complete programming, press PROGRAM BUTTON once during CD stop mode; then press the CD SKIP- or SKIP+ button once, LCD DISPLAY will show the first programmed track number. Repeat above procedure to read all programmed memory.
6. To cancel programmed memory:
 - During CD stop mode, press CD STOP BUTTON once.
 - Open CD DOOR during CD stop mode.

The Program indicator will disappear from LCD DISPLAY.

USB OPERATION:

1. Insert a USB Flash Drive into the USB port.
2. Press repeatedly **FUNCTION** button to select USB Mode, USB will show on display.
3. It will start playback from the first track after read it out.
4. Press PLAY/PAUSE button to pause music or resume playback.
5. Operation of all CD control buttons same as above- mentioned section.

IMPORTANT NOTE:

This unit supports most of the common MP3 interface but not 100% because there are too many different formats keep on changing in the market.

Bluetooth OPERATION:

This unit can receive stereo audio signal from a Bluetooth stereo audio device.

1. Power on the unit, switch to Bluetooth mode by pressing FUNCTION button repeatedly.
2. Enable the Bluetooth of the Bluetooth audio source device.
3. Pair and connect to "APRC-108" (the unit) on the audio device. If prompted for password, enter "0000".
4. When pairing and connecting is successful, it will listen to one voice sound from unit.
5. During playback, press PLAY/PAUSE/PAIR button to pause or resume the playback.
6. During playback, Press NEXT or BACK button to skip to next track. Or go back to previous track.

Note:

- The above are general steps to pair a Bluetooth device, for more specific instructions on Bluetooth connectivity for your device, please consult your manufacturer's manual.
- Once the unit enters to the Bluetooth mode, it will connect to the last paired external Bluetooth device automatically.

After switching to Bluetooth mode, it will auto-enter into Pairing mode if no any Bluetooth connection.

AUX IN:

1. Connect the AUX IN jack on the unit to an audio source, for example, MP3 player with an audio cable.
2. Press the FUNCTION button repeatedly to switch to AUX mode.
3. Use the native controls on the connected audio device to begin playing music through the connected unit.
4. Adjust device volume level and unit level to desired your volume level

Power Off Erp2 function:

When the unit idle on CD /AUX/ USB mode over 10 min. Then the unit will switch into standby mode automatically.

TROUBLESHOOTING

Troubleshooting

If a fault occurs, it is important you first check the points listed below before taking the unit for repair.

Do not open the unit as there is a risk of electric shock.

If you are unable to remedy a problem by following these hints, consult your dealer or service center.

WARNING: Under no circumstances should you try to repair the unit yourself, as this will invalidate the warranty.

- Problem
- Solution

No Sound / Power

- Volume not adjusted

Adjust the VOLUME

- Power cord not securely connected

Connect the AC power cord properly

- Batteries dead/ incorrectly inserted

Insert new batteries correctly

Display does not function properly.

No reaction to operation of any of the controls

- Electrostatic discharge

Switch off and unplug the unit. Connect it after a few seconds

No disc indication

- No CD inserted

Insert a CD, MP3,CD-R.

- CD badly scratched or dirty

Replace/clean CD. See Maintenance.

- CD-R is blank or the disc is not finalized

Use a finalized CD-R.

CD/MP3/USB playback does not work

- CD/MP3/USB badly scratched/dirty

Replace/clean CD/MP3/USB (see maintenance)

- Laser lens steamed up

Wait until lens has adjusted to room temperature.

The CD/MP3 skips tracks

- CD/MP3 damaged or dirty

Replace or clean CD/MP3

- Program is active

Quit Program mode(s)

TECHNICAL SPECIFICATIONS

GENERAL

Power Requirement.....	AC/DC: 230V ~ 50Hz
Power consumption	AC 15Watts(MAX)
Dimensions.....	Approx.327 mm(L)x238mm(W)x106mm(H)
Operation temperature.....	+5 °C - +35°C

RECEIVER SECTION

Receiving Bands.....	FM ST
Tuning Range.....	FM: 87.5-108MHz
FM Radio presets.....	30

COMPACT DISC SECTION

Optical Pickup.....	3-Beam Laser
Frequency Response.....	100Hz - 16KH z

AUDIO SECTION

Output Power.....	Maximum 3 Watt x 2
Headphone Impedance	4 ~ 32 Ohms

ACCESSORIES

Instruction Booklet.....	1
Ac line cord.....	1

DISPOSAL OF WASTE ELECTRICAL AND ELECTRONIC EQUIPMENT



This symbol on the product or packaging means that the product should not be treated as household waste. Do not throw garbage at the end of its life, but take it to a collection center for recycling. In this way you will help to protect the environment and be able to prevent any negative consequences that it would have on the environment and human health.

To find your nearest collection center:

- Contact local authorities;
- Access the website: www.mmediu.ro;
- Request additional information from the store where you purchased the

product.

AKAI

Manualul utilizatorului

APRC-108

CD/MP3 Player portabil cu Radio FM si USB/Bluetooth



Este important să cititi acest manual înainte de a folosi produsul nou pentru prima data.

Bine ati venit!

Vă multumim pentru achiziționarea Micro sistemului Player APRC-108. Pentru a beneficia complet de acest produs, va rugăm să urmăm cu atenție instrucțiunile din acest manual al utilizatorului. Pastrați acest manual într-un loc sigur pentru viitoare referințe. Suntem convinși că noul nostru Micro sistem va vă satisface nevoile.

PREGATIRE PENTRU UTILIZARE

Despachetare și montare

- * Îndepărtați cu grijă unitatea din cutie și îndepărtați tot ambalajul de pe unitate.
- * Scoateți orice etichete care pot fi aplicate fie pe față sau pe partea de sus a unității. Nu scoateți nicio etichetă situată fie pe spatele sau pe butoanele cutiei unității.
- * Apăsăți butonul de DESCHIDERE pentru CD, pentru a deschide compartimentul CD-ului. În interiorul compartimentului pentru CD există un carton alb, care are rolul de a împiedica mișcarea pickup-ului CD-ului în timpul transportului produsului. Scoateți acest carton din compartimentul CD-ului înainte de utilizare.

ALIMENTARE

Utilizarea curentului alternativ

1. Verificați dacă tensiunea corespunde furnizorului dumneavoastră local de curent, după cum se arată pe placuta situată în partea de jos a setului. Dacă nu, consultați un dealer sau centrul de service.
2. Conectați cablul de curent la priză; alimentarea este conectată și gata pentru utilizare.
3. Pentru a deconecta complet aparatul, scoateți cablul din priză.
4. Scoateți cablul din priză de perete pentru a vă proteja setul în timpul furtunilor puternice.

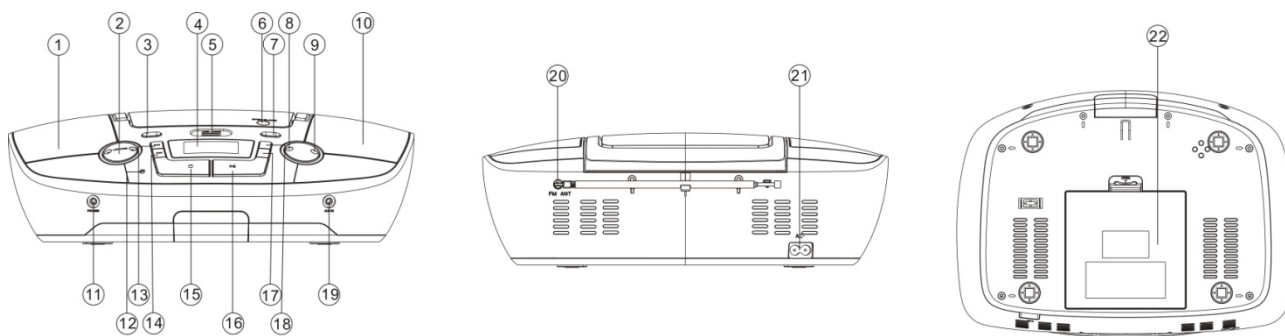
Baterii (nu sunt incluse)

Deschideți compartimentul bateriilor și introduceți opt baterii, de tip LR14, UM-2 sau R14, (de preferat alcaline), cu polaritatea corect poziționată, după cum indică simbolurile “+” și “-”, din interiorul compartimentului.

Bateriile contin substante chimice, asadar trebuie sa fie aruncate corespunzator.

Utilizarea incorectă a bateriilor poate cauza scurgere electronică și va oxida compartimentul sau va cauza explozia bateriilor. De aceea:

VEDERE GENERALA ASUPRA APARATULUI



LOCALIZAREA BUTOANELOR DE CONTROL

- | | |
|--|--------------------------------------|
| 1&10. BOXELE STANGA&DREAPTA | 13. BUTONUL NEXT |
| 2. BUTONUL DE VOLUM | 14. BUTONUL BACK |
| 3. BUTONUL DE PORNIRE/OPRIRE | 15. BUTONUL STOP |
| 4. ECRAN LCD | 16. BUTONUL PLAY/PAUSE |
| 5. MUFA USB | 17. BUTONUL REPEAT |
| 6. ACCES CD | 18. BUTONUL TIME/PROGRAM |
| 7. SELECTAREA FUNCTIILOR | 19. MUFA AUXILIARA DE INTRARE |
| 8. BUTON P-DN | 20. ANTENA FM |
| 9. BUTON P-UP | 21. CABLU AC |
| 11. MUFA CASTI STEREO | 22. ACCES BATERII |
| 12. INDICATOR STANDBY | |

SURSA DE CURENT:

• FUNCTIONAREA PE BATERII

1. Deschideti usor capacul compartimentului pentru baterii.
2. Introduceti 8 baterii de tip C (UM-2 sau echivalentul), in timp ce aveti grija la polaritatile corecte.
3. Repozitionati capacul compartimentului pentru baterii.

NOTA:

1. Cablul AC trebuie sa fie detasat de priza AC a unitatii.
2. Bateriile scurse pot avaria compartimentul pentru baterii si aparatul per total, asadar acestea trebuie scoase din compartiment cand devin plate sau cand aparatul nu functioneaza pe baterii pentru o perioada de timp.

- **FUNCTIONAREA PE CURENT**

Introduceți cablul AC în priză AC a aparatului și conectați celălalt capăt la o priză de perete.

NOTA:

1. Asigurați-vă că selectorul de voltaj AC este pornit pe frecvența dumneavoastră locală de voltaj, dacă este cazul.
2. În cazul în care cablul AC acestei unități nu se potrivește cu priză dumneavoastră AC, se va folosi un adaptor pentru prize. Va rugăm să consultați un dealer local pentru informații referitoare la tipul de adaptor de priză.

SETAREA CEASULUI

1. În modul Standby, apăsați o dată butonul **TIME/PROGRAM**. Formatul orei de 12 H sau 24 H și va apărea intermitent pe ecran.
2. Apăsați butonul **NEXT** sau **BACK** pentru a selecta formatul de 12H sau 24H. Apăsați butonul **TIME/PROGRAM** pentru a confirma selecția.
3. ORA Digitală "XX" va licări. Apăsați butonul **NEXT** sau **BACK** pentru a seta ora, apoi apăsați butonul **TIME/PROGRAM** pentru a confirma.
4. Minutele digitale "XX" vor licări. Apăsați butonul **NEXT** sau **BACK** pentru a seta ora, apoi apăsați butonul **TIME/PROGRAM** pentru a confirma.

SETAREA ALARMEI ȘI PORNIREA/OPRIREA UNITĂȚII:

1. După ce ați setat ceasul, apăsați și țineți apăsat butonul **TIME/PROGRAM** pentru a intra în meniul de setare până când se afișează ON pe ecran.
2. Puteți începe să setați ora pentru unitatea pornită, când pe ecran apare 00:00 intermitent. Apăsați butonul **NEXT** sau **BACK** pentru a seta alarma pentru unitatea pornită. Apăsați butonul **TIME/PROGRAM** pentru a confirma.
3. Setati ora pentru unitatea oprită, când pe ecran apare 00:00 intermitent. Apăsați butonul **NEXT** sau **BACK** pentru a seta timpul de trezire pentru unitatea oprită. Apăsați butonul **TIME/PROGRAM** pentru a confirma.
4. Pentru a seta alarma dintr-o altă sursă, apăsați butonul **NEXT** sau **BACK** pentru a selecta modul Radio/USB/CD/Bluetooth/AUX. Apăsați butonul **TIME/PROGRAM** pentru a confirma.
5. Pentru a seta nivelul volumului, apăsați butonul **NEXT** sau **BACK** pentru a selecta nivelul volumului. Apăsați butonul **TIME/PROGRAM** pentru a confirma.

Pentru a porni radio-ul

1. Apăsați butonul de pornire pentru a porni unitatea.
2. Apăsați repetat butonul **FUNCTION** pentru a selecta modul RADIO; pe ecran va apărea RADIO.
3. Pentru a porni căutarea automată, rotiți și țineți apăsat TUN+/- câteva secunde și apăsați scurt, pentru a căuta manual posturile de radio.

4. Apasati butonul **Play/Pause** pentru scanare automata a tuturor posturilor si apoi presetati salvarea automata a postului.
5. ANTENA TELESCOPICA FM externa este directionala. (Cand primiti emisie FM, intindeti complet ANTENA TELESCOPICA si rotiti-o pentru o receptie mai buna).
6. Ajustati nivelul volumului la un nivel de ascultare confortabil.
7. Apasati butonul POWER o data pentru a opri radio-ul.

MEMORATI & AMINTITI-VA POSTUL DUMNEAVOASTRA FAVORIT DE RADIO:

1. In timpul ascultarii posturilor de radio FM, apasati butonul **TIME/PROGRAM** pentru a memora postul curent ca un post presetat. Pe ecran va aparea intermitent numarul de presetare.
2. Apasati butonul **P-DN** sau **P-UP** repetat pentru a selecta numarul de memorie corespunzator din P01-P30 si pentru a-l memora.
3. Apasati butonul **TIME/PROGRAM** pentru a va confirma selectia.
4. Repetati pasii de mai sus pentru a memora alte posturi presetate.
5. In timpul ascultarii posturilor de radio FM, apasati in mod repetat butonul **P-DN** sau **P-UP** pentru a va aminti posturile presetate.

OPERARE CD:

Rularea compact-discului compatibil redare CD-R/RW

MANEVRAREA SI INTRETINEREA UNUI DISC:

Urmati instructiunile de mai jos pentru a manevra si a va intretine un disc in buna stare de functionare pentru o perioada lunga de timp si pentru a nu afecta performanta:

- Nu atingeti partea reflexiva (curcubeu) a discului; tineti discul de margine.
- Expunerea indelungata la razele soarelui, temperaturi ridicate si umiditate, vor avaria discul. Mentineti curata zona de pastrare/stocare.
- Evitati aplicarea de etichete pe ambele parti ale discului.

Scrierea cu obiecte ascutite pe disc trebuie strict evitata. Curatati discul, stergand centrul si apoi marginile, cu o carpa uscata si moale sau o perie speciala pentru discuri. Evitati orice solutii de curatare sau substanta chimica.

- Depozitati-le in carcasele lor, atunci cand acestea nu sunt folosite.

PENTRU A INTRODUCHE UN DISC

1. Deschideti compartimentul pentru CD din zona de deschidere.
2. Introduceti un disc in compartimentul pentru CD cu eticheta in sus.
3. Inchideti compartimentul pentru CD.



HANDLE DISC ONLY AS SHOWN



CLEAN FROM CENTER TO EDGE



DO NOT STORE NEAR HEAT

RULAREA UNUI DISC

1. Apasati butonul **Power** pentru a porni unitatea.
2. Apasati repetat butonul **FUNCTION** pentru a selecta modul CD; pe ecran va aparea CD.
3. Cand usa CD-ului este inchisă înăuntru se afla un CD, numărul total al pieselor de pe disc va fi afișat pe ECRANUL LCD, apoi va începe derularea pieselor începând cu prima piesă.
4. Dacă nu se afla niciun disc înăuntru, ECRANUL LCD va afișa "NO" și se va opri.
5. Apasati butonul Play/Pause o dată pentru a pune pe pauză derularea muzicii. Apasati butonul Play/Pause din nou pentru a relua redarea muzicii.
6. Apasati butonul NEXT sau BACK o dată și se va face derularea la următoarea piesă sau la piesa anterioară.
7. Apasati și țineți apăsat butonul NEXT sau BACK pentru a derula mai repede înainte sau înapoi.
8. Dacă muzica MP3 este memorată în diferite fișiere, trebuie să selectați numărul fișierului respectiv prin apăsarea butonului P-DN sau P-UP.
9. Apasati butonul STOP o dată pentru a opri derularea CD-ului.

Modul "repetare"

1. **Modul "Repeat o dată"** --- În timpul derulării CD-ului, apăsați butonul **Repeat** o dată, indicatorul Repeat 1 "REP." va apărea pe ecran. Se va repeta doar această melodie.
2. **Modul "Repeat ALL"** --- În timpul derulării CD-ului, apăsați butonul **Repeat** de două ori, indicatorul Repeat ALL "REP. ALL." va fi afișat pe ecran. Întreg discul poate fi redat repetat.
3. Pentru a anula funcția Repeat ---- apăsați în mod repetat butonul Repeat, până când indicatorul Repeat dispare de pe ecran.

Modul Program

1. În timpul modului de oprire a CD-ului, apăsați o dată butonul PROGRAM. Indicatorul "PROGRAM" și numărul programului care trebuie memorat începe de la primul program și "PD" se va aprinde.
2. Apasati butonul NEXT sau BACK pentru a selecta piesa dorită iar pe ecran va apărea numărul corespunzător piesei. Apasati butonul PROGRAM pentru a memora această piesă.
3. Repetați procedura de mai sus până când toate melodiile au fost programate. Se pot memora un număr total de 20 de piese.
4. Apasati o dată butonul CD PLAY/PAUSE pentru a porni redarea programului.
5. Pentru a verifica programul pe care l-ați memorat după încheierea programării, apăsați o dată butonul PROGRAM în modul CD stop; apoi apăsați o dată butonul CD SKIP- sau SKIP+, iar pe ecran va apărea primul număr al melodiei programate. Repetați procedura de mai sus pentru a citi întreaga memorie programată.
6. Pentru a anula memoria programată:
 - În modul CD stop, apăsați o dată butonul CD STOP.
 - Deschideți compartimentul CD-ULUI în modul CD stop.
Indicatorul de program va dispărea de pe ecran.

OPERAREA USB-ULUI:

1. Introduceți un stick USB în portul USB.
2. Apasați repetat butonul **FUNCTION** pentru a selecta modul USB; acesta va fi afișat pe ecran.
3. Va începe redarea de la prima piesă după ce a citit USB-ul.
4. Apasați butonul **PLAY/PAUSE** pentru a pune muzică pe pauză sau pentru a relua redarea.
5. Operarea tuturor butoanelor de control pentru CD se face conform celor menționate în secțiunea de mai sus.

NOTA IMPORTANTA:

Această unitate suportă cele mai comune interfețe MP3, dar nu 100%, deoarece există prea multe formate diferite care se schimbă permanent pe piață.

Operarea Bluetooth:

Această unitate poate primi semnal audio stereo de la un dispozitiv audio stereo Bluetooth.

1. Porniți unitatea, treceți pe modul Bluetooth prin apăsarea repetată a butonului **FUNCTION**.
2. Activați Bluetooth-ul de pe dispozitivul audio Bluetooth.
3. Cuplați și conectați la "APRC-108" (unitate) de pe dispozitivul audio. Dacă vi se solicită parola, introduceți "0000".
4. Când cuplarea și conectarea sunt realizate cu succes, se va auzi un sunet ieșind din unitate.
5. În timpul redării, apăsați butonul **PLAY/PAUSE/PAIR** pentru a pune pe pauză sau pentru a relua redarea.
6. În timpul rularii, apăsați butonul **NEXT** sau **BACK** pentru a trece la următoarea piesă. Sau reveniți la piesa anterioară.

Nota:

- Informațiile de mai sus sunt pași generali pentru a conecta un dispozitiv Bluetooth. Pentru informații mai specifice referitoare la conectarea Bluetooth pentru dispozitivul dumneavoastră, vă rugăm să consultați manualul producătorului.
- O dată ce unitatea intră în modul Bluetooth, aceasta se va conecta automat la ultimul dispozitiv Bluetooth extern cuplat.

După trecerea la modul Bluetooth, aceasta va intra automat în modul Pairing, dacă nu există nicio conexiune Bluetooth.

INTRARE AUXILIARA:

1. Conectați mufa pentru intrare auxiliară (AUX IN) a unității la o sursă audio, de exemplu un MP3 player cu un cablu audio.
2. Apasați în mod repetat butonul **FUNCTION** pentru a trece la modul AUX.
3. Folosiți butoanele de control ale unității pe dispozitivul audio conectat, pentru a începe redarea muzicii prin unitatea conectată.
4. Ajustați nivelul volumului dispozitivului și nivelul unității la nivelul de volum dorit.

Funcția de oprire Erp2:

Cand unitatea se află în repaus în modul CD/AUX/USB mai mult de 10 min, atunci aceasta va intra automat în așteptare/standby.

DEPANARE

Depanare

Dacă are loc o defecțiune, este important ca mai întâi să verificați punctele menționate mai jos, înainte de a duce unitatea la reparație.

Nu deschideți unitatea, deoarece există risc de electrocutare.

Dacă nu puteți remedia o problemă urmând aceste sfaturi, consultați un dealer sau un centru de service.

ATENȚIE: Sub nicio formă nu încercați să reparați singur unitatea, acest lucru ducând la pierderea garanției.

- Problema
- Soluție

Fără sunet/curent

- Volum nereglat

Reglați VOLUMUL

- Cablul de curent nu este conectat în siguranță

Conectați corespunzător cablul de curent

- Bateriile descărcate/ introduse încorect

Introduceți corect baterii noi

Ecranul nu funcționează corect.

Nicio reacție la operarea butoanelor de control

- Descărcare electrostatică

Opriti și scoateți din priză unitatea. Conectați după câteva secunde.

Fără indicații de prezentă disc

- Nu este introdus CD.

Introduceți un CD, MP3, CD-R.

- CD zgăriat foarte tare sau murdar

Înlocuiți/stergeți CD-ul. Vezi capitolul "întreținere".

- CD-R este alb sau scrierea discului nu a fost finalizată

Folosiți un CD-R scris.

Redarea CD/MP3/USB nu funcționează

- CD/MP3/USB este foarte zgăriat/murdar

Înlocuiți/stergeți CD/MP3/USB (vezi capitolul "întreținere")

- Lentilele laser sunt aburite

Așteptați până când lentilele s-au adaptat la temperatura camerei.

CD/MP3 sare melodii

- CD/MP3 este deteriorat sau murdar

Înlocuiți sau curățați CD/MP3

- Funcția "program" este activă

Ieșiți din modul Program

SPECIFICATII TEHNICE

GENERAL

Cerinte alimentare.....	AC/DC: 230V ~ 50Hz
Consum energie.....	AC 15Watts(MAX)
Dimensiuni.....	Aprox.327 mm(L)x238mm(W)x106mm(H)
Temperatura de operare.....	+5 °C - +35°C

SECTIUNEA RECEPTOR

Benzi receptie	FM ST
Frecvente	FM: 87.5-108MHz
Presetari Radio FM	30

SECTIUNEA COMPACT DISC

Pickup optic.....	3-Raza Laser
Frecventa de raspuns.....	100Hz - 16KH z

SECTIUNEA AUDIO

Putere de iesire.....	Maxim 3 Watt x 2
Impedanta casti	4 ~ 32 Ohms

ACESORII

Manual instructiuni.....	1
Cablu alimentare.....	1

DEZAFECTAREA echipamentelor electrice si electronice uzate



Acest simbol prezent pe produs sau pe ambalaj semnifică faptul că produsul respectiv nu trebuie tratat ca un deșeu menajer obișnuit. Nu aruncați aparatul la gunoiul menajer la sfârșitul duratei de funcționare, ci duceți-l la un centru de colectare autorizat pentru reciclare. În acest fel veți ajuta la protejarea mediului înconjurător și veți putea împiedica eventualele consecințe negative pe care le-ar avea asupra mediului înconjurător și veți putea împiedica eventualele consecințe negative pe care le-ar avea asupra mediului și sănătății umane.

Pentru a afla adresa celui mai apropiat centru de colectare:

- Contactați autoritățile locale;
- Accesați pagina de internet: www.mmediu.ro;
- Solicitați informații suplimentare de la magazinul de unde ați achiziționat produsul.

AKAI

ΟΔΗΓΙΕΣ ΧΡΗΣΗΣ

APRC-108

**Φορητό CD / MP3 Player με ραδιόφωνο FM
και USB / Bluetooth**



Είναι σημαντικό να διαβάσετε αυτό το εγχειρίδιο χρήσης πριν από τη χρήση του νέου προϊόντος σας για πρώτη φορά.

Καλωσόρισμα

Σας ευχαριστούμε για την αγορά του συστήματος Micro system Player APRC-108. Για να επωφεληθείτε πλήρως από αυτό το προϊόν, ακολουθήστε τις οδηγίες στο παρόν εγχειρίδιο χρήσης πολύ προσεκτικά. Φυλάξτε αυτό το εγχειρίδιο σε ασφαλές μέρος για μελλοντική αναφορά. Είμαστε σίγουροι ότι το νέο σας Micro system θα ικανοποιήσει τις ανάγκες σας.

ΠΡΟΕΤΟΙΜΑΣΙΑ ΓΙΑ ΧΡΗΣΗ

Αποσυσκευασία και εγκατάσταση

- * Αφαιρέστε προσεκτικά τη μονάδα από το κουτί και αφαιρέστε όλα τα υλικά συσκευασίας από την ίδια τη μονάδα.
- * Αφαιρέστε τυχόν περιγραφικές ετικέτες που μπορούν να βρεθούν είτε στο μπροστινό ή πάνω μέρος της μονάδας. Μην απομακρύνετε τυχόν ετικέτες που βρίσκονται είτε στο πίσω μέρος ή το κουμπί της μονάδας.
- * Πατήστε το καπάκι του CD για να ανοίξετε την πόρτα του διαμερίσματος του CD. Υπάρχει μια λευκή κάρτα στο CD το οποίο προορίζεται για την πρόληψη καταστροφής του CD κατά τη μεταφορά του προϊόντος, Αφαιρέστε αυτή την κάρτα από την θήκη του CD πριν από τη χρήση.

ΤΡΟΦΟΔΟΣΙΑ

ΜΕ ΧΡΗΣΗ ΕΝΑΛΛΑΣΣΟΜΕΝΟΥ ΡΕΥΜΑΤΟΣ

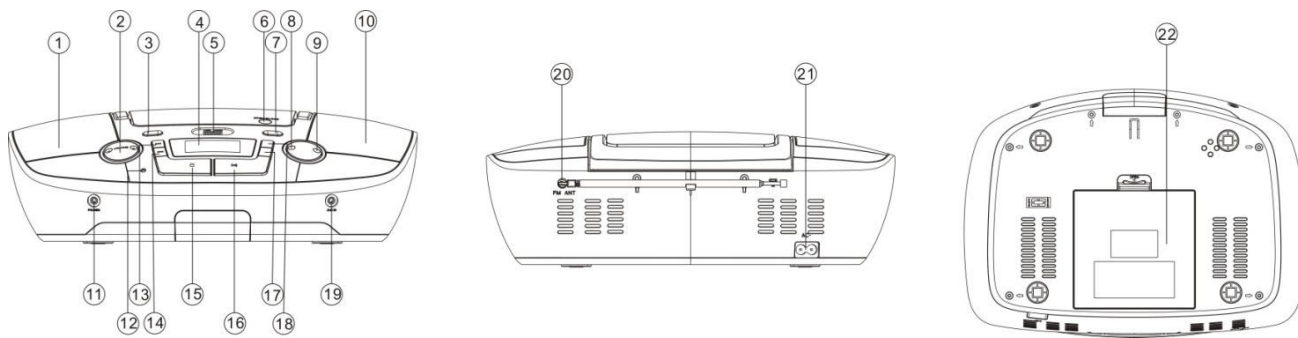
1. Ελέγξτε αν η ηλεκτρική τάση που αναγράφεται στην πινακίδα που βρίσκεται στο κάτω μέρος της συσκευής αντιστοιχεί στην τοπική παροχή εναλλασσόμενου ρεύματος σας. Αν δεν το κάνει, συμβουλευτείτε τον αντιπρόσωπό σας ή το εξουσιοδοτημένο σέρβις.
2. Συνδέστε το καλώδιο τροφοδοσίας στην είσοδο AC και στην πρίζα του τοίχου, το τροφοδοτικό είναι τώρα συνδεδεμένο και έτοιμο για χρήση.
3. Για να απενεργοποιήσετε πλήρως τη συσκευή, αποσυνδέστε το καλώδιο τροφοδοσίας από την πρίζα.
4. Αποσυνδέστε το καλώδιο τροφοδοσίας από την πρίζα του τοίχου για να προστατέψετε τη συσκευή σας κατά τη διάρκεια σφοδρών και αιγίδων.

ΜΠΑΤΑΡΙΕΣ (ΔΕΝ ΠΕΡΙΛΑΜΒΑΝΟΝΤΑΙ)

Αφαιρέστε το καπάκι από την υποδοχή των μπαταριών και τοποθετήστε οκτώ μπαταρίες τύπου LR14, UM-2 ή C-κύτταρα, (Αλκαλικές κατά προτίμηση) με τη σωστή πολικότητα, όπως υποδεικνύεται από το "+" και "-" που αναγράφονται στο εσωτερικό του διαμερίσματος

Οι μπαταρίες περιέχουν χημικές ουσίες, κατά συνέπεια πρέπει να απορρίπτονται σωστά. Η λανθασμένη χρήση των μπαταριών μπορεί να προκαλέσει διαρροή και θα διαβρώσει το διαμέρισμα των μπαταριών ή θα κάνει τις μπαταρίες να ανατιναχθούν.

Λειτουργίες



ΠΙΝΑΚΑΣ ΕΛΕΓΧΟΥ

- 1 & 10. ΑΡΙΣΤΕΡΟ & ΔΕΞΙ ΗΧΕΙΟ**
- 2. ΠΛΗΚΤΡΟΕΝΤΑΣΗΣ**
- 3. ΠΛΗΚΤΡΟPOWER**
- 4. LCDΟΘΟΝΗ**
- 5. ΘΥΡΑUSB**
- 6. ΘΥΡΑCD**
- 7. ΠΛΗΚΤΡΟΕΠΙΛΟΓΗΣ ΛΕΙΤΟΥΡΓΙΑΣ**
- 8. ΠΛΗΚΤΡΟ P-DN(ΚΑΤΩ)**
- 9. ΠΛΗΚΤΡΟ P-UP(ΠΑΝΩ)**
- 11. ΘΥΡΑ ΑΚΟΥΣΤΙΚΩΝSTEREO**
- 12. ΠΛΗΚΤΡΟΑΝΑΜΟΝΗΣ**

- 13. ΠΛΗΚΤΡΟ ΕΠΟΜΕΝΗΣΕΠΙΛΟΓΗΣ**
- 14. ΠΛΗΚΤΡΟ ΠΡΟΗΓΟΥΜΕΝΗΣ ΕΠΙΛΟΓΗΣ**
- 15. ΠΛΗΚΤΡΟSTOP**
- 16. ΠΛΗΚΤΡΟ ΑΝΑΠΑΡΑΓΩΓΗΣ / ΠΑΥΣΗΣ**
- 17. ΠΛΗΚΤΡΟΕΠΑΝΑΛΗΨΗΣ**
- 18. ΠΛΗΚΤΡΟ ΠΡΟΓΡΑΜΜΑΤΟΣ / ΩΡΑΣ**
- 19. ΥΠΟΔΟΧΗΑUX-IN**
- 20. FMΑΝΤΕΝΝΑ**
- 21. AC ΚΑΛΩΔΙΟΤΡΟΦΟΔΟΣΙΑΣ**
- 22. ΘΑΛΑΜΟΣΜΠΑΤΑΡΙΩΝ**

ΤΡΟΦΟΔΟΣΙΑ:

Λειτουργία με μπαταρίες

1. Αφαιρέστε απαλά το κάλυμμα της θήκης τηςμπαταρίας.
2. Εγκαταστήστε 8 μπαταρίες «C» μεγέθους (UM-2 ή ισοδύναμο), τηρώντας τηνπολικότητα.
3. Τοποθετήστε το κάλυμμα της θήκης τηςμπαταρίας.

ΣΗΜΕΙΩΣΗ:

1. Το καλώδιο ρεύματος πρέπει να αποσυνδεθεί από την πρίζα εναλλασσόμενου ρεύματος τηςσυσκευής αναπαραγωγής.
2. Οι μπαταρίες περιέχουν χημικές ουσίες, κατά συνέπεια πρέπει να απορρίπτονται σωστά. Η λανθασμένη χρήση των μπαταριών μπορεί να προκαλέσει διαρροή και θα διαβρώσει το διαμέρισμα των μπαταριών ή θα κάνει τις μπαταρίες ναανατιναχθούν.

ΛΕΙΤΟΥΡΓΙΑ AC

Συνδέστε το καλώδιο τροφοδοσίας στην είσοδο AC και στην πρίζα του τοίχου, το τροφοδοτικό είναι τώρα συνδεδεμένο και έτοιμο για χρήση.

ΣΗΜΕΙΩΣΗ:

1. Βεβαιωθείτε ότι η τάση AC είναι σωστή με την τοπική τάση του δικτύου σας
2. Εάν το βύσμα AC της μονάδας αυτής δεν ταιριάζει με την πρίζα εναλλασσόμενου ρεύματος, θα πρέπει να χρησιμοποιείται ένα προσαρμογέα βύσματος. Συμβουλευτείτε τον τοπικό σας αντιπρόσωπο για τον τύπο του προσαρμογέα βύσματος.

ΡΥΘΜΙΣΗ ΩΡΑΣ

1. Σε κατάσταση αναμονής, πατήστε TIME / PROGRAM μία φορά, θα αρχίσει να αναβοσβήνει στην οθόνη η μορφή της ώρας (12 ή 24 ώρες)
2. Πατήστε το κουμπί επόμενο ή προηγούμενο για να επιλέξετε τη μορφή ώρας (12 ή 24 ώρες) ,πατήστε **TIME/PROGRAM** για επιβεβαίωση της επιλογής σας.
3. Οι δείκτες τις ώρας “XX” θα αναβοσβήνουν . Πατήστε το **NEXT ή BACK** για να ρυθμίσετε την ώρα και στη συνέχεια πατήστε το πλήκτρο **TIME/PROGRAM** για επιβεβαίωση.
4. Οι δείκτες των λεπτών “XX” θα αναβοσβήνουν. Πατήστε το **NEXT ή BACK** για να ρυθμίσετε τα λεπτά και στη συνέχεια πατήστε το πλήκτρο **TIME/PROGRAM** για επιβεβαίωση.

ΡΥΘΜΙΣΗ ΑΥΤΟΜΑΤΗΣ ΕΝΕΡΓΟΠΟΙΗΣΗΣ/ΑΠΕΝΕΡΓΟΠΟΙΗΣΗΣ ΤΗΣ ΜΟΝΑΔΑΣ :

1. Αφού προγραμματίσετε την ώρα, Πατήστε και κρατήστε πατημένο το πλήκτρο **TIME/PROGRAM** για να μπείτε στη ρύθμιση μέχρι να εμφανιστεί το ON στην οθόνη.
2. Μπορείτε να αρχίσετε να ρυθμίσετε την ώρα της αφύπνισης, θα αναβοσβήνει στην οθόνη η ένδειξη 00: 00, πατήστε **NEXT ή BACK** για να ρυθμίσετε την αφύπνιση στη συσκευή. Πατήστε **TIME/PROGRAM** για επιβεβαίωση.
3. Για να ρυθμίσετε την ώρα της αυτόματης απενεργοποίησης, θα αναβοσβήνει στην οθόνη η ένδειξη 00: 00, πατήστε **NEXT ή BACK** για να ρυθμίσετε την αφύπνιση στη συσκευή. Πατήστε **TIME/PROGRAM** για επιβεβαίωση.
4. για να επιλέξετε με ποια είσοδο multimedia θέλετε να ανοίξει η συσκευή, πατήστε **NEXT ή BACK** για να επιλέξετε ανάμεσα Radio / USB / CD / Bluetooth /AUX. Πατήστε **TIME/PROGRAM** για επιβεβαίωση.
5. Για να ρυθμίσετε την ένταση , πατήστε **NEXT ή BACK** για να επιλέξετε το επίπεδο της έντασης, πατήστε **TIME/PROGRAM** για επιβεβαίωση.

Ραδιόφωνο

1. Πατήστε το κουμπί λειτουργίας για να ενεργοποιήσετε τη μονάδα.
2. Πατήστε επανειλημμένα το πλήκτρο **FUNCTION** για να επιλέξετε τη λειτουργία RADIO ,που θα εμφανιστεί στην οθόνη.
3. Για να ξεκινήσει η αυτόματη αναζήτηση, Περιστρέψτε και κρατήστε πατημένο το TUN +/- αρκετά δευτερόλεπτα. Για χειροκίνητη αναζήτηση πατήστε στιγμιαία.

4. πατήστε το πλήκτρο **Play/Pause** για αυτόματη σάρωση όλων των σταθμών και, στη συνέχεια, αυτόματη αποθήκευση προεπιλεγμένου σταθμού.
5. Η εξωτερική FM τηλεσκοπική κεραία είναι κατευθυντική. (Όταν λαμβάνετε μια εκπομπή FM, επεκτείνετε πλήρως την τηλεσκοπική κεραία και περιστρέψτε τη για καλύτερη λήψη.)
6. Ρυθμίστε την ένταση του ήχου σε ένα άνετο επίπεδο ακρόασης.
7. Πατήστε το κουμπί POWER μια φορά για να απενεργοποιήσετε το ραδιόφωνο.

Αποθήκευση και αναζήτηση αγαπημένων σταθμών :

1. Κατά τη διάρκεια ακρόασης ραδιόφωνου FM, πατήστε το **TIME/PROGRAM** για να αποθηκεύσετε τον τρέχοντα σταθμό ως προεπιλεγμένο σταθμό. Η ένδειξη NO θα αναβοσβήνει στην οθόνη LCD.
2. Πατήστε το P-DN ή το κουμπί P-UP επανειλημμένα για να επιλέξετε την αντίστοιχη μνήμη NO από P01 - P30 για να το αποθηκεύσετε.
3. Πατήστε το κουμπί **TIME / PROGRAM** για να επιβεβαιώσετε την επιλογή σας.
4. Επαναλάβετε τα παραπάνω βήματα για να αποθηκεύσετε άλλους προεπιλεγμένους σταθμούς.
5. Κατά τη διάρκεια ακρόασης ραδιόφωνου FM, πατήστε επανειλημμένα P-DN ή το κουμπί P-UP για να μεταβείτε στους αποθηκευμένους σας σταθμούς.

ΛΕΙΤΟΥΡΓΙΑ CD:

ΧΕΙΡΙΣΜΟΣ ΚΑΙ ΣΥΝΤΗΡΗΣΗ ενός δίσκου:

Ακολουθήστε τις παρακάτω οδηγίες για το χειρισμό και τη συντήρηση του δίσκου σας, ώστε να μπορείτε ενδεχομένως να έχετε για μεγάλο χρονικό διάστημα και απροβλημάτιστη απόδοση:

- Σιγουρευτείτε ότι τοποθετείτε το δίσκο με τη ιριδίζουσα πλευρά προς τα κάτω. Κρατάτε το από τις άκρες.
- Μεγάλος χρόνος έκθεσης στον ήλιο, υψηλές θερμοκρασίες και η υγρασία θα προκαλέσει ζημιά στο δίσκο. Τοποθετήστε το σε αποθηκευτικό χώρο καθαρό.
- Αποφύγετε να κολλάτε αυτοκόλλητα και στις δύο πλευρές. Προσοχή με τις αιχμηρές επιφάνειες.
- Καθαρίστε το δίσκο σκουπίζοντας από το κέντρο και στη συνέχεια προς τα έξω με ένα στεγνό και μαλακό πανί ή μια βούρτσα για δίσκους. Αποφύγετε οποιαδήποτε λοσιόν καθαρισμού
-
- Φυλάξτε το στη θήκη τους όταν δεν πρόκειται να χρησιμοποιηθεί.



HANDLE DISC ONLY AS SHOWN



CLEAN FROM CENTER TO EDGE




DO NOT STORE NEAR HEAT

Τοποθετήστε ένα δίσκο



1. Ανοίξτε την πόρτα του CD
2. Τοποθετήστε ένα δίσκο στην υποδοχή δίσκου με την πλευρά της ετικέτας στραμμένη προς τα επάνω.

3. Κλείστε το καπάκι του CD


Αναπαραγωγή ενός δίσκου

1. Πατήστε το κουμπί λειτουργίας για να ενεργοποιήσετε τη μονάδα.
2. Πατήστε επανειλημμένα το πλήκτρο FUNCTION για να επιλέξετε Λειτουργία CD, CD θα εμφανιστεί στην οθόνη.
3. Όταν το καπάκι του CD είναι κλειστό με δίσκο CD μέσα, ο συνολικός αριθμός κομματιών στο δίσκο θα εμφανίζεται στην οθόνη LCD και, στη συνέχεια, θα ξεκινήσει την αναπαραγωγή από το πρώτο τοκομμάτι,
4. Αν δεν έχετε κάποιο δίσκο μέσα ,η LCD οθόνη θα δείξει "  " και θα σταματήσει.
5. Πατήστε **Play/Pause** μία φορά για παύση της αναπαραγωγής μουσικής,πατήστε **Play/Pause** ξανά για να συνεχίσετε την αναπαραγωγή μουσικής.
6. Πατήστε **NEXT** ή **BACK** κουμπί μία φορά, θα πάει στο επόμενο κομμάτι ή στο προηγούμενο κομμάτι.
7. Πατήστε και κρατήστε πατημένο το κουμπί **NEXT** ή **BACK**, θα γίνει γρήγορη αναζήτηση στο κομμάτι
8. Εάν μουσική MP3 βρίσκεται σε διαφορετικούς φακέλους, για να επιλέξετε τον συγκεκριμένο αριθμό φακέλου πατήστε **P-DN** ή το κουμπί **P-UP**
9. Πατήστε το κουμπί STOP μία φορά για να σταματήσετε την αναπαραγωγή του CD.

ΛΕΙΤΟΥΡΓΙΑ ΕΠΑΝΑΛΗΨΗΣ /ΕΠΑΝΑΛΗΨΗ ΟΛΩΝ

1. **ΕΠΑΝΑΛΗΨΗ ΕΝΟΣ** --- Κατά τη διάρκεια της αναπαραγωγής CD, πατήστε **Repeat** -μία φορά , η ένδειξη "  ."θα εμφανιστεί στην οθόνη LCD. Το κομμάτι της μουσικής θα να επαναληφθεί.
2. **ΕΠΑΝΑΛΗΨΗ ΟΛΩΝ** --- Κατά τη διάρκεια της αναπαραγωγής CD, πατήστε **Repeat** -δύο φορές , η ένδειξη "  ALL."θα εμφανιστεί στην οθόνη LCD.Όλος ο δίσκος της μουσικής θα επαναληφθεί.
3. Για να ακυρώσετε την λειτουργία επανάληψης ---- Πατήστε το κουμπί **Repeat** επανειλημμένα μέχρι η ένδειξη να εξαφανιστεί από την οθόνη LCD

ΛΕΙΤΟΥΡΓΙΑ ΠΡΟΓΡΑΜΜΑΤΟΣ

1. Κατά τη διάρκεια διακοπής του CD, πατήστε το κουμπί **PROGRAM** μία φορά. Η ένδειξη "  " θα εμφανιστεί στην οθόνη
2. Πατήστε το **NEXT** ή **BACK** για να επιλέξετε το επιθυμητό μουσικό κομμάτι σας, στην οθόνη θα δείξει τον αριθμό κομματιού. Πατήστε το κουμπί **PROGRAM** για να αποθηκεύσετε αυτό το κομμάτι στη μνήμη.
3. Επαναλάβετε την παραπάνω διαδικασία μέχρι να προγραμματιστούν όλα τα επιθυμητά κομμάτια(20max)
4. Πατήστε **PLAY / PAUSE** κουμπί μία φορά για να ξεκινήσει η αναπαραγωγή του προγράμματος.
5. Για να ελέγξετε αν έχετε αποθηκεύσει το πρόγραμμα μετά τον πλήρη προγραμματισμό, πατήστε το πλήκτρο **PROGRAM** μία φορά κατά τη διάρκεια της διακοπής λειτουργίας CD,

στη συνέχεια, πατήστε το **SKIP- ή SKIP+** μία φορά, στην οθόνη θα εμφανιστεί το πρώτο προγραμματισμένο κομμάτι. Επαναλάβετε την παραπάνω διαδικασία για να διαβάσετε όλα τα προγραμματισμένα κομμάτια που βρίσκονται στη μνήμη.

6. Για να ακυρώσετε την προγραμματισμένη μνήμη:

- Κατά τη διάρκεια διακοπής του CD, πατήστε το πλήκτρο CD STOP κουμπί μία φορά. Ή
- Ανοίξτε το καπάκι κατά τη διάρκεια της λειτουργίας διακοπής CD.

Ο δείκτης του Προγράμματος θα εξαφανιστεί από την οθόνη LCD.

ΛΕΙΤΟΥΡΓΙΑ USB:

1. Τοποθετήστε ένα USB Flash Drive στη θύρα USB.

2. Πατήστε επανειλημμένα το πλήκτρο **FUNCTION** για να επιλέξετε τη λειτουργία USB, που θα εμφανιστεί στην οθόνη.

3. Θα ξεκινήσει η αναπαραγωγή από το πρώτο κομμάτι

4. Πατήστε το κουμπί **PLAY / PAUSE** για παύση της μουσικής ή συνέχιση της αναπαραγωγής.

5. όλες οι λειτουργίες είναι παρόμοιες με τις λειτουργίες CD

ΣΗΜΑΝΤΙΚΗ ΣΗΜΕΙΩΣΗ:

Εξαιτίας της μεγάλης ποικιλίας προϊόντων με USB θύρες, δεν μπορούμε να εγγυηθούμε πως όλες οι συσκευές USB θα αναγνωρίζονται από τη συσκευή αυτή ή πως όλες οι πιθανές λειτουργίες θα λειτουργούν σωστά.

ΛΕΙΤΟΥΡΓΙΑ Bluetooth:

Αυτή η μονάδα μπορεί να λάβει στερεοφωνικό σήμα ήχου από μια Bluetooth stereo συσκευή ήχου.

1. Ενεργοποιήστε τη συσκευή, μεταβείτε στη λειτουργία Bluetooth πιέζοντας επανειλημμένα το πλήκτρο λειτουργίας.
2. Ενεργοποιήστε το Bluetooth της συσκευής πηγής ήχου
3. Σύζευξη και σύνδεση με τη "APRC-108" (η μονάδα) για τη συσκευή ήχου. Εάν σας ζητηθεί κωδικός πρόσβασης, πληκτρολογήστε "0000".
4. Αν την αντιστοίχιση και σύνδεση είναι επιτυχής, θα ακούσετε έναν ήχο από τη μονάδα.
5. Πατήστε το κουμπί **PLAY / PAUSE** για παύση της μουσικής ή συνέχιση της αναπαραγωγής.
6. Πατήστε και κρατήστε πατημένο το κουμπί **NEXT ή BACK**, θα γίνει γρήγορη αναζήτηση στο κομμάτι

Σημείωση:

- Τα παραπάνω είναι γενικά βήματα για να συνδέσετε μια συσκευή Bluetooth, για πιο συγκεκριμένες οδηγίες σχετικά με τη συνδεσιμότητα Bluetooth για τη συσκευή σας, παρακαλούμε να συμβουλευτείτε το εγχειρίδιο του κατασκευαστή.
- Όταν η μονάδα εισέρχεται στη λειτουργία Bluetooth, θα συνδεθεί με την τελευταία αντιστοιχισμένη εξωτερική συσκευή Bluetooth αυτόματα.

Μετά την αλλαγή στη λειτουργία Bluetooth, θα αυτόματα τεθεί σε λειτουργία Σύζευξη αν δεν υπάρχει οποιαδήποτε σύνδεση Bluetooth.

AUX IN:

1. Συνδέστε το AUX IN της μονάδας σε μια πηγή ήχου, για παράδειγμα, MP3 player με ένα καλώδιοήχου.
2. Πιέστε επανειλημμένα το πλήκτρο FUNCTION για να μεταβείτε στη λειτουργίαAUX.
3. Χρησιμοποιήστε τα εγγενή στοιχεία ελέγχου στη συνδεδεμένη συσκευή ήχου για να ξεκινήσετε την αναπαραγωγή μουσικής μέσω της συνδεδεμένηςμονάδας.
4. Ρυθμίστε το επίπεδο έντασης ήχου της συσκευής και το επίπεδο μονάδας στο επιθυμητό επίπεδο έντασηςσας

Power Off Erp2 function:

Όταν η μονάδα βρίσκεται σε λειτουργία CD /AUX/ USB πάνω από 10 min, τότε η συσκευή θα τεθεί αυτόματα σε αναμονή.

Αντιμετώπιση προβλημάτων

Αν παρουσιαστεί βλάβη, είναι σημαντικό να ελέγξετε πρώτα τα σημεία που αναφέρονται παρακάτω πριν πάτε τη συσκευή για επισκευή.

Μην ανοίγετε τη μονάδα, καθώς υπάρχει κίνδυνος ηλεκτροπληξίας.

Εάν δεν μπορείτε να επιλύσετε το πρόβλημα ακολουθώντας αυτές τις υποδείξεις, συμβουλευτείτε τον αντιπρόσωπό σας ή το κέντρο σέρβις.

ΠΡΟΣΟΧΗ: Σε καμία περίπτωση δεν πρέπει να επιχειρήσετε να επισκευάσετε μόνοι σας τη μονάδα, καθώς αυτό θα ακυρώσει την εγγύηση.

Πρόβλημα	Πιθανότατη Αιτία	Επίλυση
Δεν υπάρχει ήχος όταν είναι ενεργοποιημένο	1.Είναι απενεργοποιημένο 2.το κουμπί της έντασης είναι στο χαμηλότερο σημείο 3.η συσκευή είναι στη σίγαση 4.USB/SD card δεν συνδέθηκε	1. Ενεργοποιήστε την συσκευή 2. Δυναμώστε τηνένταση 3. Ανοίξτε τηνένταση 4. Εισάγεται USB/SD card,play MP3
Η οθόνη δεν λειτουργεί σωστά	Καμία αντίδραση για τη λειτουργία οποιουδήποτε από τους ελέγχους	Ηλεκτροστατική εκφόρτιση Σβήστε και αποσυνδέστε τη μονάδα. Συνδέστε το μετά από μερικά δευτερόλεπτα
Καμία ένδειξη του δίσκου	Δεν έχετε εισάγει κάποιον δίσκο ή ο δίσκος είναι λερωμένος ή γρατζουνισμένος ή κενός	Τοποθετήστε ένα CD, MP3, CD-R., Αντικαταστήστε / καθαρίστε το CD. Δείτε Συντήρηση.
CD / MP3 / αναπαραγωγή USB δεν λειτουργεί Το CD / MP3 παραλείπει κομμάτια	CD / MP3 έχει καταστραφεί ή βρώμικο είναι βρώμικο	1. Μετατρέψτε τη μορφή των τραγουδιών σε μορφήMP3 2. Τοποθετήστε το USB disc / SD / MMC σωστά. Αντικαταστήστε / καθαρίστε το CD / MP3 / USB (βλέπεσυντήρηση)

ΤΕΧΝΙΚΕΣ ΠΡΟΔΙΑΓΡΑΦΕΣ ΓΕΝΙΚΕΣ

Απαιτήσεις ισχύος:.....AC/DC: 230V ~50Hz
Απαιτήσεις ισχύος.....AC15Watts(MAX)
Διαστάσεις.....Approx.327mm(L)x238mm(W)x106mm(H)
Θερμοκρασία λειτουργίας:.....+5° -+35°

Ραδιόφωνο

Μπάντες:.....FM.
Εύρος:.....FM:87.5-108MHz
Μνήμες.....30

CD

Κεφαλή οπτικής ανάγνωσης.....3-ακτίνα λέιζερ
Απόκριση συχνότητας.....100Hz - 16KHz

ΗΧΟΣ

Ισχύς εξόδου:.....Maximum 3 Watt x2
Αντίσταση:.....4 ~ 32Ohms

ΑΞΕΣΟΥΑΡ

Φυλλάδιο οδηγιών:.....1
DC καλώδιο.....1



Αυτό το σύμβολο επάνω στο προϊόν ή στη συσκευασία σημαίνει ότι το προϊόν δεν θα πρέπει να αντιμετωπίζονται ως οικιακά απορρίμματα. Μην πετάτε στα σκουπίδια στο τέλος της ζωής του, αλλά παραδώστε την σε ένα κέντρο συλλογής για ανακύκλωση. Με αυτόν τον τρόπο θα βοηθήσετε στην προστασία του περιβάλλοντος και να είναι σε θέση να αποτρέψει τυχόν αρνητικές συνέπειες που θα έχει για το περιβάλλον και την ανθρώπινη υγεία.

