

AKAI

MANUAL DE UTILIZARE

RADIO CU CEAS

AR105



1.SIGURANTA

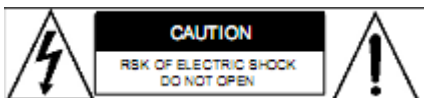
1.1 Inainte de Utilizare

Acest radio cu ceas reda muzica de la radio.Functionarea ceasului include program de alarma si somn.

Citit cu atentie acest manual.

1.2 Etichetele manualului.

ATENTIE



Atentie ! Pentru a reduce riscul electrocutarii, nu indepartati carcasa, nu umblati in interiorul aparatului,

adresati-va personalului calificat.



Acest simbol avertizeaza in privinta existentei unor tensiuni periculoase in interiorul aparatului care sunt suficient de puternice pentru a provoca electrocutarea.



Acest semn indica utilizatorului existenta unor operatiuni si instructiuni deosebite legate de intretinere.

1.3 Instructiuni generale de siguranta

- Nu impingeti aparatul. Poate sa cada si sa cauzeze raniri.
- Nu lasati sa curga nici un lichid in interiorul aparatului.
- Nu lasati sa patrunda obiecte metalice prin fantele de aerisire.
- Nu blocati fantele de aerisire.
- Acest aparat are dubla izolatie :de aceea nu este necesara impamantarea. Verificati numai daca tensiunea de alimentare locala corespunde cu cea de pe eticheta aparatului.

2. Pregatirea pentru folosire

2.1 Despachetarea

*Despachetati aparatul cu grija

*Verificati continutul conform celor de mai jos. Daca lipseste ceva contactati magazinul.

* Indepartati etichetaa de pe panoul fata cu grija.

Se recomanda sa pastrati ambalajul original si materialele de ambalaj in caz ca sunt necesare ulterior. Este singurul mod de a proteja aparatul la transport. Daca aruncati totusi ambalajul aveti grija sa-l reciclati.

2.2 Continutul ambalajului

Urmatoarele componente sunt incluse in ambalajul primit:

1. Radio cu ceas
- 1 Manual de utilizare.

3. Instalare

* Asezati aparatul pe o suprafata neteda orizontala

* Instalati bateriile in aparat.

ATENTIE!

*Nu asezati aparatul langa surse de caldura,

*Nu expuneti aparatul direct in lumina soarelui.

3.1 Bateria de Siguranta

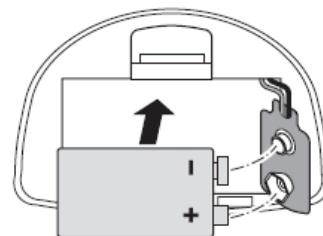
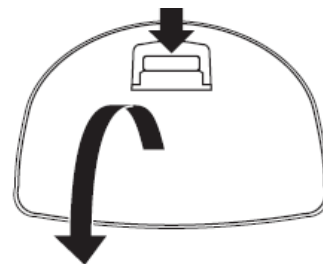
In caz de intrerupere a energiei electrice aparatul este prevazut cu o baterie de siguranta. de 9 V

*Bateria nu se livreaza cu aparatul

*Bateria nu este necesara in functionare normala.

3.1 Instalarea bateriei

*Deschideti usa compartimentului bateriei



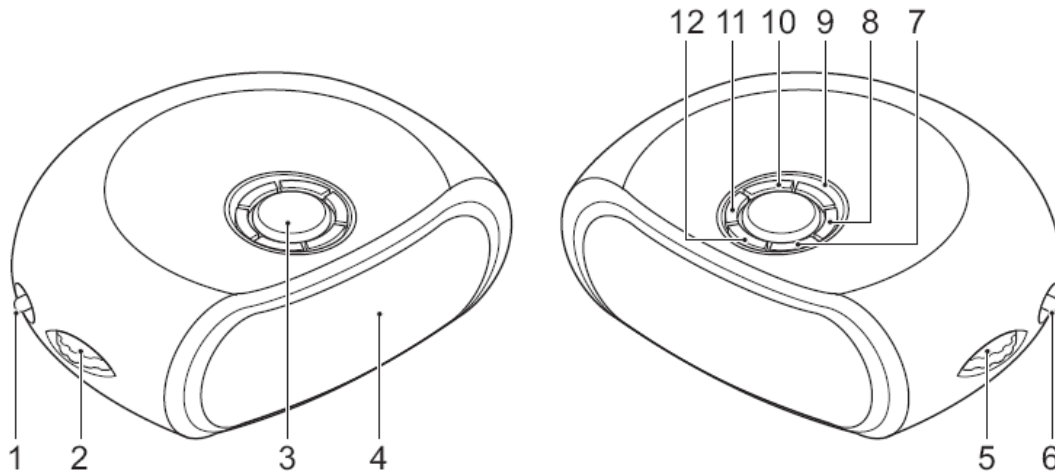
*Introduceti bateria si conectati-o urmarind respectarea polaritati + si - .

*Asezati la loc usa compartimentului.

ATENTIE!

Instalarea incorecta a bateriei poate conduce la curgerea acesteia ,corodarea si defectarea aparatului.Corodarea ,oxidarea ,curgerea bateriei sau orice defectare gradata de aceasta natura anuleaza garantia.

4.FUNCTII



- 1.Comutator AUTO/OFF/ON
- 2.Buton VOLUME
- 3.Buton SNOOZE
4. Afisaj
- 5.Buton TUNING
- 6.Comutator BRIGHTNESS
- 7.Buton HOUR(ora)
- 8.Butonul MIN
9. Butonul AL.OFF
- 10.Butonul ALARMA
- 11.Butonul TIME(timp)
- 12.Butonul SLEEP(somn)

5. FUNCTIONAREA

*Pentru a porni aparatul, mutati comutatorul AUTO/OFF/ON (1) pe pozitia

ON(pornit).Pentru a opri aparatul ,mutati comutatorul AUTO/OFF/ON pe pozitia OFF>

*Pentru a regla nivelul volumului ,rotiti butonul VOLUME(2) la pozitia dorita

*Pentru a fixa stralucirea afisajului ,mutati butonul BRIGHTNESS(6) la pozitia dorita.

5.1 Functiile ceasului.

Programarea orei curente.

- Apasati si mentineti apasat butonul TIME(11).
- Apasati butonul HOUR(7) sau MIN(8) pana la obtinerea timpului corect.

Programarea timpului de alarma.

- Apasati butonul ALARM (10)
- Apasati butonul HOUR(7) sau MIN(8) pana la obtinerea timpului dorit.

ATENTIE!

Daca se intrerupe accidental alimentarea cu energie electrica, sau ati decuplat aparatul de la retea se pierde programarea timpului,daca nu ati instalat o baterie de siguranta .

5.2 Functiile radio

- Pentru a alege o frecventa sau un post radio ,rotiti butonul TUNING (5) pana la obtinerea freceventei dorite.

ATENTIE!

Pentru imbunatatirea receptiei FM extindeti firul antenei.

5.3 Folosirea functiei SLEEP

- Mutati comutatorul AUTO/OFF/ON (1) pe pozitia AUTO
- Alegeti postul radio dorit.
- Apasati butonul SLEEP(12) .Timpul sleep (59 min) palpaie pe afisaj.
- Apasati butonul HOUR(7) sau MIN(8) pana la obtinerea timpului dorit .

Aparatul se opreste din redare dupa ce s-a atins timpul programat.

- Pentru a verifica timpul ramas ,apasati butonul SLEP(12) .
- Pentru a anula functia SLEEP ,apasati butonul SNOOZE(3)

5.4 Functia alarma

Aceasta functie este activa pe radio si in mod ton.

- Pentru alarma radio::
 - Porniti aparatul.
 - Alegeti postul radio dorit.
 - Reglati volumul
- Pentru alarma ton
 - Rotit butonul VOLUME(2) pe pozitia BUZZ.Butonul este in pozitia dorita cand face un clic.
 - Pentru a activa alarma ,mutati comutatorul AUTO/OFF/ON (1) pe pozitia AUTO.
 - Pentru a anula alarma ,mutati comutatorul AUTO/OFF/ON(1) pe pozitia OFF.

Oprirea alarmei

Din fabricatie timpul de alarma este de 9 minute.

- Pentru a anula alarma ,apasati o data butonul SNOOZE (3).Alarma suna din nou dupa ce timpul snooze a trecut.
- Pentru a opri alarma ,apsati butonul AL.OFF(9) .Alarma este automat programata pentru ziua urmatoare.

6.Curatarea si intretinerea

ATENTIE!

Inainte de orice curatare sau operatie de intretinere ,opriti si decuplati de la retea aparatul.

- Curatati exteriorul aparatului cu o carpa moale.Daca aparatul este foarte murdar ,muiati carpa in apa cu solutie neutrala.

7.Probleme

Problema	Actiunea
Fara afisaj	Porniti aparatul Conectati aparatul corect Selectati functia corecta cu comutatorul ON/OFF(1)
Fara sunet	Conectati corect aparatul la retea. Reglati volumul Reglati butonul de acord

8.Date Tehnice

Parametrii	Value
Tensiune	230 Vac~50Hz
Tensiune baterie	9V
Putere consumata	< 4W
Putere max de iesire	0,26W
Benzi radio	FM

Frecventa radio
FM 88 – 108 Mhz

9. Reciclarea echipamentelor electrice si electronice uzate



Acest simbol prezent pe produs sau pe ambalaj semnifica faptul ca produsul respectiv nu trebuie tratat ca un deșeu menajer obișnuit .Nu aruncați aparatul la gunoierul menajer la sfârșitul duratei de funcționare ,ci duceți-l la un centru de colectare autorizat pentru reciclare .In acest fel veți ajuta la protejarea mediului inconjurator si veți putea impiedica eventualele consecințe negative pe care le-ar avea asupra mediului si sănătății umane.

Pentru a afla adresa celui mai apropiat centru de colectare :

- Contactati autoritatile locale ;
- Accesati pagina de internet :www.mmediu.ro
- Solicitati informatii suplimentare de la magazinul de unde ati achizitionat produsul



AKAI

Clockradio

AR105



User manual

GB 2

Gebruiksaanwijzing

NL 11

Manuel de l'utilisateur

FR 20

Manual de instrucciones

ES 29

Gebrauchsanleitung

DE 38

Οδηγίες χρήσεως

EL 47

Brugsanvisning

DA 56

Table of contents

1.	Safety	3
	1.1 Intended use	3
	1.2 Labels in this manual	3
	1.3 General safety instructions	3
2.	Preparations for use	4
	2.1 Unpacking	4
	2.2 Package contents	4
3.	Installation	4
	3.1 Battery backup	5
4.	Functions	6
5.	Operation	7
	5.1 Clock functions	7
	5.2 Radio functions	7
	5.3 Setting the SLEEP function	8
	5.4 Alarm function	8
6.	Cleaning and maintenance	9
7.	Troubleshooting	9
8.	Technical data	9
9.	Disposal of used electrical and electronic equipment	10

Copyright notice

Design and specifications are subject to change without notice.

1. Safety

1.1 Intended use

The Clockradio plays music from radio. The clock function includes an alarm and sleep program. Read the manual carefully before the first use.

1.2 Labels in this manual



WARNING

A warning means that injury or death is possible if the instructions are not obeyed.



CAUTION

A caution means that damage to the equipment is possible.



A note gives additional information, e.g. for a procedure.

1.3 General safety instructions



WARNING

Do not put force on the appliance. The appliance can fall and can cause serious injury.



CAUTION

Do not spill any liquid on the appliance.



WARNING

Do not insert any objects in the ventilation holes.



CAUTION

Do not block the ventilation holes.



This appliance is double insulated; therefore no earth wire is required. Always check that the mains voltage corresponds to the voltage on the rating plate.

2. Preparations for use

2.1 Unpacking

- Unpack the appliance carefully.
- Check the package contents as described below. If any item is missing, please contact your reseller.
- Remove the labels from the front panel carefully if present.



We recommend that you retain the original carton and packing materials in case it ever becomes necessary to return your product for service. This is the only way to safely protect the product against damage in transit. If you do dispose of the carton and the packing materials, please remember to recycle with due care to the environment.

2.2 Package contents

The following items are included in the received package:

- 1 Clockradio
- 1 Operator manual



If any item is missing, please contact your reseller.

3. Installation

- Put the appliance on a horizontal flat surface.
- Connect the appliance to the mains.



CAUTION

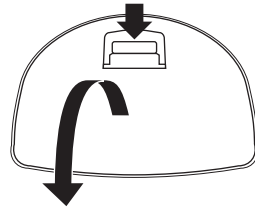
- Do not put the appliance near a heat source.
- Do not expose the appliance to direct sunlight.



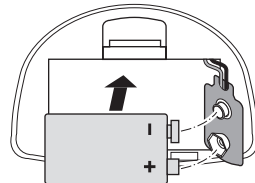
This appliance is equipped with rubber feet to prevent it from moving. The feet are made from non-migrating material specially formulated to avoid leaving any marks or stains on furniture. However, certain types of furniture polishes, wood preservatives or cleaning sprays cause the rubber to soften and leave marks or a residue on the furniture, and potentially risk the surface to become damaged. To prevent damage to wooden surfaces, we recommend that you apply self-adhesive pads to the bottom of the rubber feet before installation.

3.1 Battery backup

In case of a power failure, the appliance relies on battery backup. For this purpose, the appliance uses one battery (9V). The appliance remembers the time, but does not display it.



- Batteries are not included with this appliance.
- Batteries are not necessary for normal operation.



Install batteries

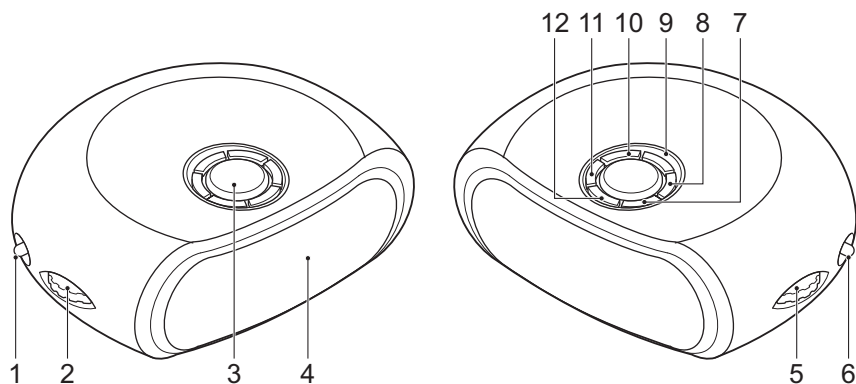
- Remove the battery cover.
- Insert the batteries matching the (+) and (-) polarity markings.
- Re-install the battery cover.



CAUTION

Incorrect installation can cause battery leakage and corrosion which will damage the appliance. Corrosion, oxidation, battery leakage and any other gradually acidic defect of this nature will invalidate the guarantee.

4. Functions



- 1 AUTO/OFF/ON switch
- 2 VOLUME dial
- 3 SNOOZE button
- 4 Display
- 5 TUNING dial
- 6 BRIGHTNESS switch
- 7 HOUR button
- 8 MIN button
- 9 AL. OFF button
- 10 ALARM button
- 11 TIME button
- 12 SLEEP button

5. Operation

- To switch on the appliance, slide the AUTO/OFF/ON switch (1) to the ON position. To switch off the appliance, slide the AUTO/OFF/ON switch (1) to the OFF position.
- To adjust the volume level, turn the VOLUME dial (2) until the desired level is set.
- To set the display brightness, slide the BRIGHTNESS switch (6) to the LO (low) or HI (high) position.

5.1 Clock functions

Setting the current time

- Press and hold the TIME button (11).
- Press the HOUR button (7) or the MIN button (8) until the desired time is set.

Setting the alarm time

- Press and hold the ALARM button (10).
- Press the HOUR button (7) or the MIN button (8) until the desired time is set.



During a power failure, or when unplugging the appliance, the time settings are lost, unless backup batteries are installed.

5.2 Radio functions

- To select a frequency or radio station, turn the TUNING dial (5) until the desired frequency is set.



To improve the reception of the FM frequency, extend the aerial antenna.

5.3 Setting the SLEEP function

- Slide the AUTO/OFF/ON switch (1) to the AUTO position.
- Select the desired radio station.
- Press the SLEEP button (12). The sleep time (59 min) flashes on the display.
- Press the HOUR button (7) or the MIN button (8) until the desired time is set (SLEEP TIME RANGE to be advised).

The appliance stops playing after the chosen time has elapsed.

- To check the remaining time, press the SLEEP button (12).
- To cancel the SLEEP function, press the SNOOZE button (3).

5.4 Alarm function

This function is available in radio and tone mode.

- For radio alarm:
 - Switch on the appliance.
 - Select the desired radio station.
 - Adjust the volume.
- For tone alarm:
 - Turn the VOLUME dial (2) to the BUZZ position. The dial is locked in position when you hear a click.
- To activate the alarm, set the AUTO/OFF/ON switch (1) to the AUTO position.
- To cancel the alarm, set the AUTO/OFF/ON switch (1) to the OFF position.

Snooze alarm

The default snooze time is: 9 minutes.

- To snooze the alarm, press the SNOOZE button (3) once. The alarm sounds again after the snooze time has elapsed.
- To stop the alarm, press the AL.OFF button (9). The alarm is automatically set for the next day.

6. Cleaning and maintenance



WARNING

Before performing any cleaning or maintenance, switch off and unplug the appliance.

- Clean the outside of the appliance with a soft cloth. When the appliance is very dirty, dampen the cloth slightly with water and a neutral solution.

7. Troubleshooting

Trouble	Action
No display	Switch on the appliance. Connect the appliance properly. Select the correct function with the ON/OFF switch (1).
No sound	Connect the appliance properly. Adjust the volume. Adjust the tuning control.

8. Technical data

Parameter	Value
Voltage	230 V _{AC} ~ 50 Hz.
Backup voltage	9 V
Power consumption	4 W
Max power output	0,26 W
Radio bands	FM
Dimensions (W x H x D)	132 x 101 x 58 mm
Weight	334 g

Frequency range

Parameter	Value
FM radio	88 - 108 MHz

9. Disposal of used electrical and electronic equipment



The meaning of the symbol on the material, its accessory or packaging indicates that this product shall not be treated as household waste. Please, dispose of this equipment at your applicable collection point for the recycling of electrical and electronic equipments waste. In the European Union and Other European countries which there are separate collection systems for used electrical and electronic product. By ensuring the correct disposal of this product, you will help prevent potentially hazardous to the environment and to human health, which could otherwise be caused by unsuitable waste handling of this product. The recycling of materials will help conserve natural resources. Please do not therefore dispose of your old electrical and electronic equipment with your household waste.

For more detailed information about recycling of this product, please contact your local city office, your household waste disposal service or the shop where you purchased the product.

For more information and warranty conditions, please visit: www.akai.eu